

Tacony CFC

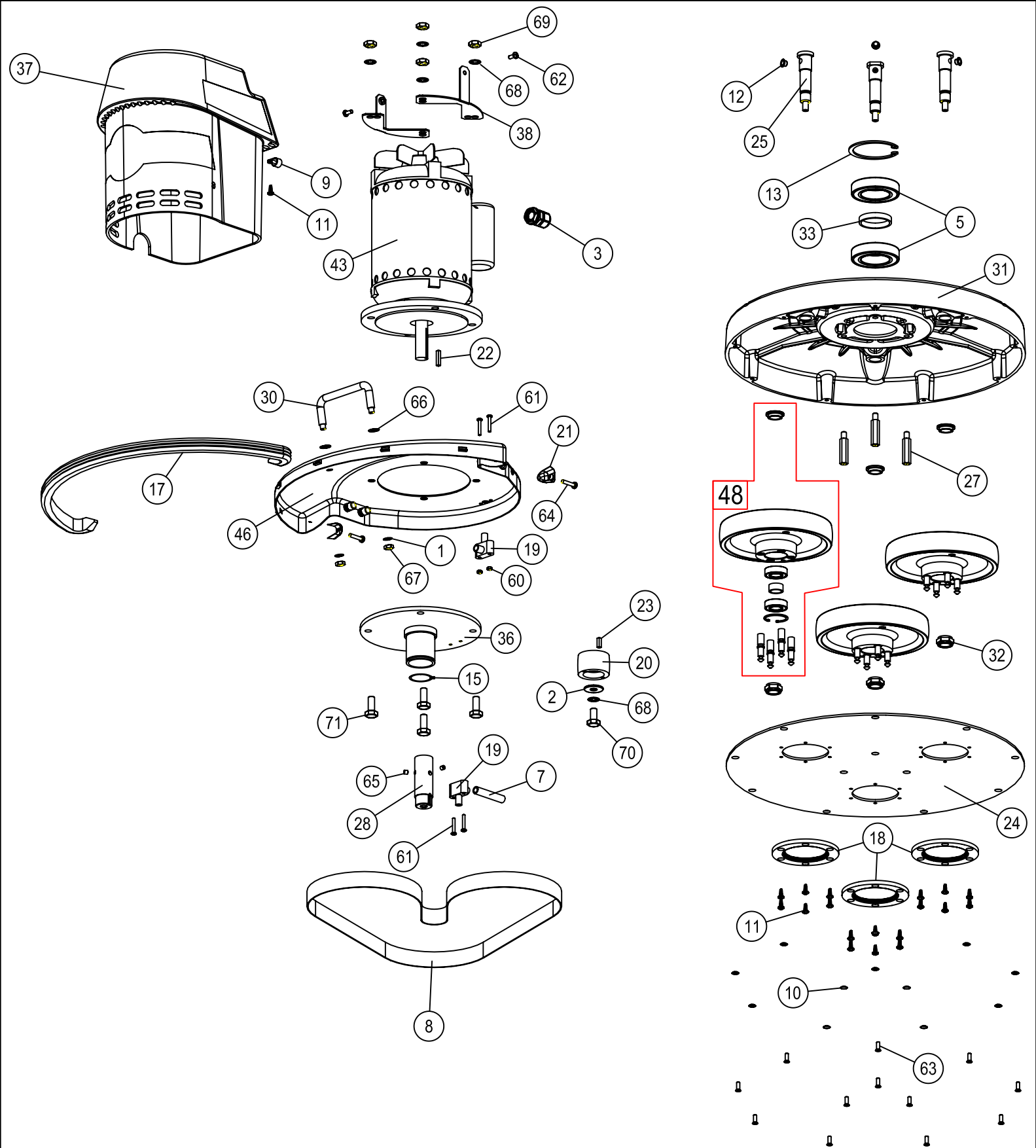
CR48/EURO Handle Assembly

Drawing Number: 09-1047-0000

| | | | |
|-----------------------|--------------|-----------------------|--|
| Date: | 2/3/2009 | | |
| Machine: | CR48/EURO | | |
| Reference Parts List: | 05-3934-0000 | | |
| Modified By: | G SECHERE | DESCRIPTION OF CHANGE | |
| Revision: | B | | |

| Tacony CFC | | CR48/EURO Handle Assembly | |
|------------------------------|--------------|---------------------------|-------|
| Part Reference: 05-3934-0000 | | | |
| Date: | 2/3/2009 | | |
| Machine: | CR48/EURO | | |
| Reference Drawing Number: | 09-1047-0000 | | |
| Modified By: | G SECHERE | DESCRIPTION OF CHANGE | ECN # |
| Revision: | B | COMPONENTS CHANGE | N/A |

| Ref. No. | Part No. | Part Description | Qty |
|------------------------|--------------|---|------|
| CORE COMPONENTS | | | |
| 1 | 02-3950-0000 | 3/4 in EXTERNAL CIRCLIP | 1 |
| 2 | 02-4065-0000 | SLEEVING 2MM CLEAR | 4" |
| 3 | 02-4175-0000 | HANDLE GRIP | 2 |
| 4 | 02-4176-0000 | GROMMET | 1 |
| 5 | 02-4186-0000 | CABLE GLAND | 1 |
| 6 | 02-4311-0000 | PENNY WASHER | 1 |
| 7 | 02-4149-0000 | TYRAP - SMALL (BI) *NOT SOWHN* | 7 |
| 10 | 03-6185-0000 | EARTH POINT LABEL | 1 |
| 11 | 03-6953-0000 | LOCKING HANDLE | 1 |
| 13 | 03-6957-0000 | PIVOT | 1 |
| 14 | 03-7281-0000 | LEVER | 1 |
| 16 | 03-7298-0000 | SWITCH CAM LEVER | 1 |
| 17 | 03-7300-1000 | HANDLE BOX (FRONT & REAR SET) | 1 |
| 18 | 03-7301-0000 | WATER VALVE LEVER | 1 |
| 19 | 03-7433-0000 | CAM FOLLOWERS | 1 |
| 20 | 03-7434-0000 | SPRING | 1 |
| 21 | 03-7435-0000 | REVERSE SWITCH CAMS | 1 |
| 22 | 03-7660-0000 | CABLE HOOK | 1 |
| 23 | 03-8005-0000 | CR / RHD COMMON HANDLE FRAME | 1 |
| 29 | 04-0286-0000 | P CLIP (DROPLEAD) | 1 |
| 30 | 04-0286-0000 | P CLIP (MAINS CABLE) | 1 |
| 31 | 04-3416-0000 | SUPPRESSOR RF 0.47UF | 1 |
| 33 | 04-3576-0000 | CRIMP TERMINAL PRE-INSULATED *NOT SHOWN* | 6 |
| 32 | 04-3480-0000 | TERMINAL (FORK) *NOT SHOWN* | 2 |
| 34 | 04-3481-0000 | TERMINAL (SPRING SPADE) *NOT SHOWN* | 4 |
| 35 | 04-3602-0000 | TERMINAL (RING) *NOT SHOWN* | 2 |
| 36 | 04-3055-0153 | MAINS CABLE 1.5MM SQ ORANGE PVC 3 CORE EURO PLUG | 1 |
| 37 | 04-3686-0000 | SWITCH (MOMENTARY) | 1 |
| 38 | 04-3809-0000 | SWITCH (CAM OPERATED) | 1 |
| 43 | 04-3553-0000 | CABLE 2.5MM 14AWG BLACK *NOT SHOWN* (DROPLEAD) | 174" |
| 44 | 04-3556-0000 | CABLE 2.5MM 14AWG BLUE *NOT SHOWN* (DROPLEAD) | 87" |
| 45 | 04-3558-0000 | CABLE 2.5MM 14AWG BROWN *NOT SHOWN* (DROPLEAD) | 87" |
| 46 | 04-3559-0000 | CABLE 2.5MM 14AWG GREEN/YELLOW *NOT SHOWN* (DROPLEAD) | 87" |
| 47 | 72470A | HEAT SHRINK TUBING | 12" |
| FASTENERS | | | |
| 50 | 00-0500-0503 | M5 PLAIN WASHER | 6 |
| 51 | 00-0500-0723 | M5 NYLOC NUT | 3 |
| 52 | 00-0510-0171 | M5 x 10 SOCKET SET SCREW | 1 |
| 53 | 00-0512-0013 | M5 X 12 POZI PAN HEAD SCREW | 6 |
| 54 | 00-0540-0013 | SCREW, M5 X 40 PAN HEAD | 2 |
| 55 | 00-1000-0703 | M10 FULL NUT | 1 |
| 56 | 00-0400-0523 | M4 SHAKEPROOF WASHER | 2 |
| 57 | 00-0410-0023 | M410 POZI PAN HEAD | 2 |
| 58 | 00-0400-0703 | M4 FULL NUT | 2 |
| 59 | 00-0308-0013 | M3x8 POZI PAN HD SCREW | 1 |
| 61 | 00-0300-0503 | M3 PLAIN WASHER | 1 |
| 62 | 00-0500-0507 | M5 BRASS WASHER | 3 |
| 63 | 00-0500-0703 | M5 FULL NUT | 2 |
| 64 | 00-0500-0713 | M5 LOCK NUT | 1 |
| 65 | 00-0500-0521 | M5 SHAKEPROOF WASHER Z/P | 1 |
| 66 | 00-1000-0523 | M10 SHAKEPROOF WASHER | 1 |
| 67 | 00-0520-0013 | M5x20 POZI PAN HD SCREW | 1 |
| 68 | 00-0518-0013 | M5 X 12 POZI PAN HEAD SCREW | 1 |



Tacony CFC

CR48/EURO Head Assembly

DRAWING NO.: 09-1062-0000

MACHINE: CR48/EURO

REF. PARTS LIST: 05-3938-0000

SERIES: B

REVISION

ECN #

DESCRIPTION OF CHANGE

MOD. BY

DATE

A

0279

CHANGED MOTOR TO LEMAC; MOTOR COVER TO 03-8230-000

G.S.

2/15/2010

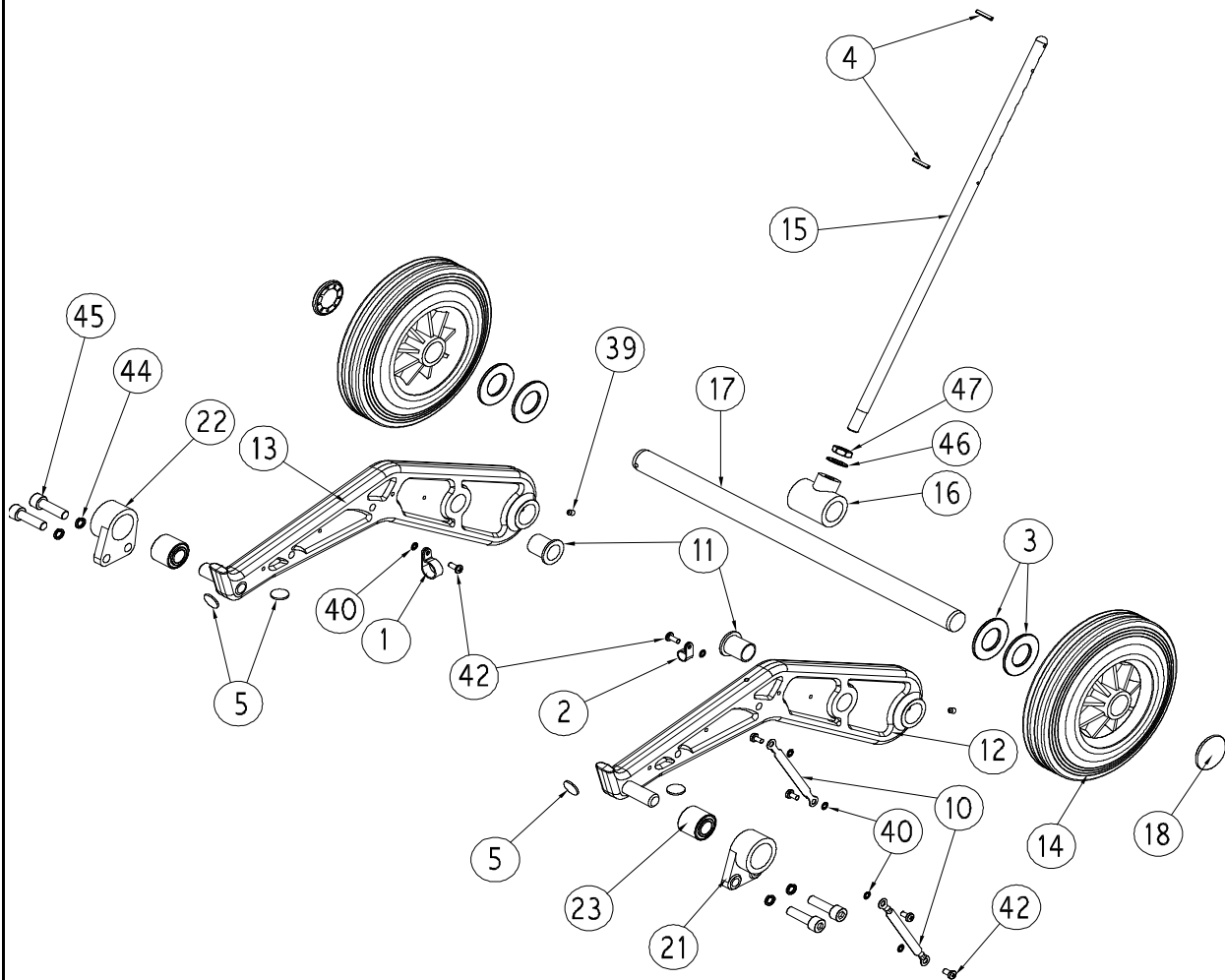
Tacony CFC

CR48/EURO Head Assembly

Part Reference: 05-3938-0000

| | | | | |
|--------------|--------------|---|---------|-----------|
| MACHINE: | CR48/EURO | | | |
| REF. DWG. #: | 09-1062-0000 | | | |
| SERIES: | B | | | |
| REVISION | ECN# | DESCRIPTION OF CHANGE | MOD. BY | DATE |
| A | 0279 | CHANGED MOTOR TO LEMAC; COVER TO 03-8230-0000 | G.S. | 2/15/2010 |

| Ref. No. | Part No. | Part Description | Qty |
|------------------------|--------------|---|-------|
| CORE COMPONENTS | | | |
| 2 | 02-4335-0000 | M10x30 WASHER | 1 |
| 3 | 02-3965-0000 | CABLE GLAND | 1 |
| 5 | 02-4020-0000 | BEARING 6009-2RS | 2 |
| 7 | 02-4179-0000 | WATER FEED TUBE | 1.75" |
| 8 | 02-4191-0000 | BELT - NITTA 1465x25 (BLUE POLY) | 1 |
| 9 | 02-4279-0000 | P CLIP(HEYCO 350-3364) | 1 |
| 10 | 02-4320-0000 | BRASS CUP WASHER No8 | 12 |
| 11 | 02-4323-0000 | SELF TAP No10x12 POZI PAN HD ST/ST | 19 |
| 12 | 02-4381-0000 | PLASTIC INSERT (REF 12157) | 3 |
| 13 | 02-4380-0000 | CIRCLIP INTERNAL 1300 - 75mm | 1 |
| 15 | 02-4024-0000 | CIRCLIP EXTERNAL | 1 |
| 17 | 03-6898-1000 | BUMPER STRIP | 28.5" |
| 18 | 03-6910-0000 | DUST SEAL | 3 |
| 19 | 03-6920-0000 | WATER FEED ELBOW | 2 |
| 20 | 03-6927-0000 | MOTOR PULLEY NOM DIA 50mm | 1 |
| 21 | 03-6928-0000 | BUMPER RUBBER CLIP | 2 |
| 22 | 03-6930-0000 | KEY 3/16 x 3/16 x 25mm | 1 |
| 23 | 03-6931-0000 | KEY 3/16 x 3116 x 5/8 | 1 |
| 24 | 03-6940-0000 | BOTTOM COVER PLATE | 1 |
| 25 | 03-6944-0000 | BRUSH SPINDLE (BRASS - WATER FEED) | 3 |
| 27 | 03-6946-0000 | BOTTOM COVER SPACER | 3 |
| 28 | 03-6947-0000 | MOTOR SHAFT EXTENSION | 1 |
| 30 | 03-7668-0000 | LIFTING HANDLE | 1 |
| 31 | 03-6962-0000 | EDU BOWL (BLUE) CR48 | 1 |
| 32 | 03-7220-0000 | MI6 NYLOC NUT (M'C'D) | 3 |
| 33 | 03-7284-0000 | CENTRE BEARING SPACER | 1 |
| 36 | 03-7324-0000 | SPIGOT PLATE | 1 |
| 37 | 03-8230-0000 | CIMEX MOTOR COVER | 1 |
| 38 | 03-7833-0000 | MOTOR COVER BRACKET | 2 |
| 39 | 03-7654-0000 | DECAL - FRONT BARS *NOT SHOWN* | 1 |
| 40 | 03-7655-0000 | DECAL - FRONT BADGE *NOT SHOWN* | 1 |
| 41 | 03-7685-0000 | DECAL - SIDE R48 (LEFT & RIGHT HAND PAIR) *NOT SHOWN* | 1 |
| 42 | 03-7944-0000 | DECAL - CIMEX FROM TRUVOX *NOT SHOWN* | 1 |
| 43 | 04-3913-0000 | MOTOR 230V 50Hz 750W 1.5HP | 1 |
| 44 | 04-3602-0000 | #10 16-14 INSULATED RING TERMINAL *NOT SHOWN* | 5 |
| 45 | 72470A | HEAT SHRINK BLACK | 12" |
| 46 | 03-7325-0000 | BUMPER SHIELD ASSEMBLY CR48 | 1 |
| 48 | 05-4545-0000 | CR48 BRUSH PULLEY ASSEMBLY | 3 |
| FASTENERS | | | |
| 60 | 00-0400-0707 | M4 BRASS NUT | 2 |
| 61 | 00-0425-0023 | M425 POZI PAN HD SCREW ST/ST | 4 |
| 62 | 00-0512-0013 | M5x12 POZI PAN HD SCREW ST/ST | 2 |
| 63 | 00-0512-0033 | M5x12 COUNTERSUNK SCREW ST/ST | 12 |
| 64 | 00-0525-0013 | M5x25 POZI PAN HD SCREW ST/ST | 2 |
| 65 | 00-0606-0171 | M6x6 GRUB SCREW SOCKET HD | 2 |
| 66 | X8218+ | WASHER SAE 5/16 SAE FLAT ZINC | 2 |
| 67 | 00-0800-0713 | M8 1/2 NUT S/S | 2 |
| 68 | 00-1000-0523 | MI 0 INTERNAL SHAKEPROOF WASHER | 5 |
| 69 | 00-1000-0703 | MI 0 LOCK NUT S/S | 4 |
| 70 | 00-1020-0123 | MI 0x20 BOLT S/S | 1 |
| 71 | 00-1035-0111 | M10x35 BOLT Z/P | 4 |



Tacony CFC

CR48/EURO Chassis Assembly

Drawing Number: 09-1063-0000

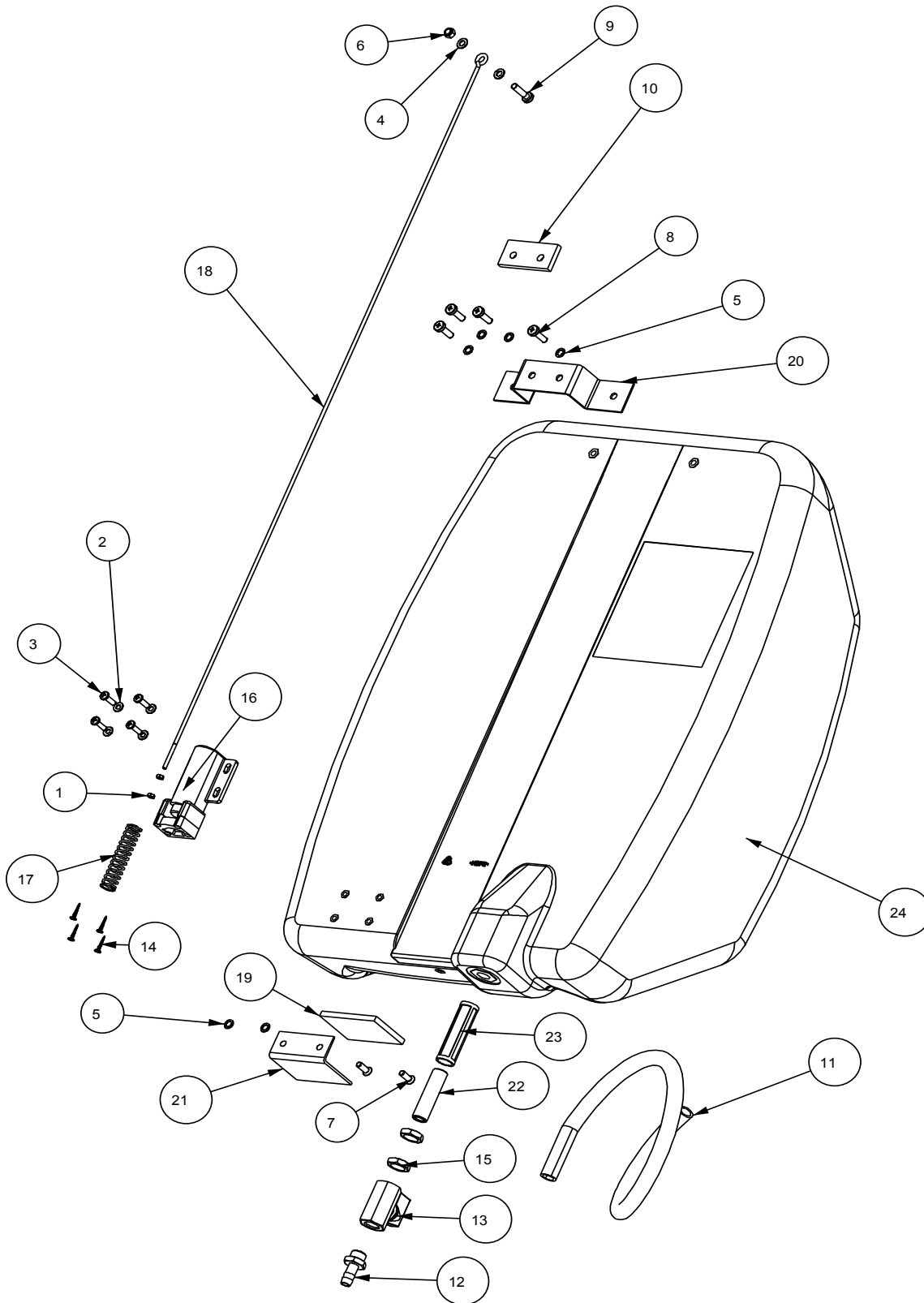
| | | | |
|-----------------------|--------------|------------------------|-------|
| Date: | 12/29/2009 | | |
| Machine: | CR48/EURO | | |
| Reference Parts List: | 05-4478-0000 | | |
| Modified By: | G SECHERE | DESCRIPTION OF CHANGE | ECN # |
| Revision: | C | ADDED SET SCREWS (#39) | 0134 |

Tacony CFC**CR48/EURO Chassis Assembly**

Part Reference: 05-4478-0000

| | | | |
|---------------------------|--------------|------------------------|-------|
| Date: | 12/29/2009 | | |
| Machine: | CR48/EURO | | |
| Reference Drawing Number: | 09-1063-0000 | | |
| Modified By: | G SECHERE | DESCRIPTION OF CHANGE | ECN # |
| Revision: | C | ADDED SET SCREWS (#39) | 0134 |

| Ref. No. | Part No. | Part Description | Qty |
|------------------------|--------------|---|-----|
| CORE COMPONENTS | | | |
| 1 | 02-4448-0000 | P CLIP (CONDUIT) | 1 |
| 2 | 02-4279-0000 | P CLIP (WATER HOSE) | 1 |
| 3 | 02-4363-0000 | WASHER (USED AS WHEEL SPACER SUBJECT TO QTY CHANGE) | 4 |
| 4 | 02-4208-0000 | SELLOCK PIN 1/8x7/8 | 2 |
| 5 | 02-4187-0000 | BUFFER RUBBER 19mm x 1.5mm | 4 |
| 10 | 03-6899-0000 | EARTH LEAD (WITH INTEGRAL TERMS) | 2 |
| 11 | 03-6919-0000 | FORK HANDLE BUSH (BLACK) | 2 |
| 12 | 03-8175-0000 | LIFTING FORK (L/H) | 1 |
| 13 | 03-8176-0000 | LIFTING FORK (R/H) | 1 |
| 14 | 03-7277-0000 | WHEEL 200mm DIA | 2 |
| 15 | 03-7279-0000 | SWIVEL CLAMP ROD | 1 |
| 16 | 03-7306-0000 | TEE PIECE | 1 |
| 17 | 03-7308-0000 | AXLE - CR48,CR61 | 1 |
| 18 | 03-7658-0000 | STARLOCK HUB CAP | 2 |
| 20 | 04-3688-0000 | 20mm CONDUIT *NOT SHOWN* | 43" |
| 21 | 03-6926-0000 | PIVOT BLOCK (L/H) | 1 |
| 22 | 03-6925-0000 | PIVOT BLOCK (R/H) | 1 |
| 23 | 03-6929-0000 | SILENT BEARING | 2 |
| FASTENERS | | | |
| 39 | 00-0606-0171 | M6 X 6 SKT SET SCREW S/COL | 2 |
| 40 | 00-0500-0521 | M5 INTERNAL SHAKEPROOF WASHER | 6 |
| 42 | 00-0512-0013 | M5x10 POZI PAN HEAD SCREW ST/ST | 6 |
| 44 | 7CL003 | M10 SPRING WASHER ST/ST | 4 |
| 45 | 00-1030-0103 | M10x30 CAP HD SCREW ST/ST | 4 |
| 46 | 00-1200-0503 | M12 WASHER FORM B ST/ST | 1 |
| 47 | 00-1200-0713 | M12 LOCKNUT ST/ST | 1 |



Tacony CFC

Cyclone Range Tank Assembly

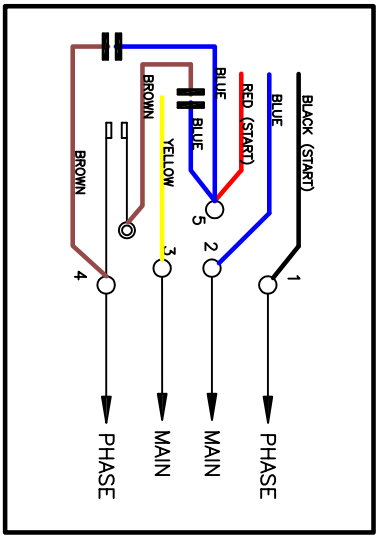
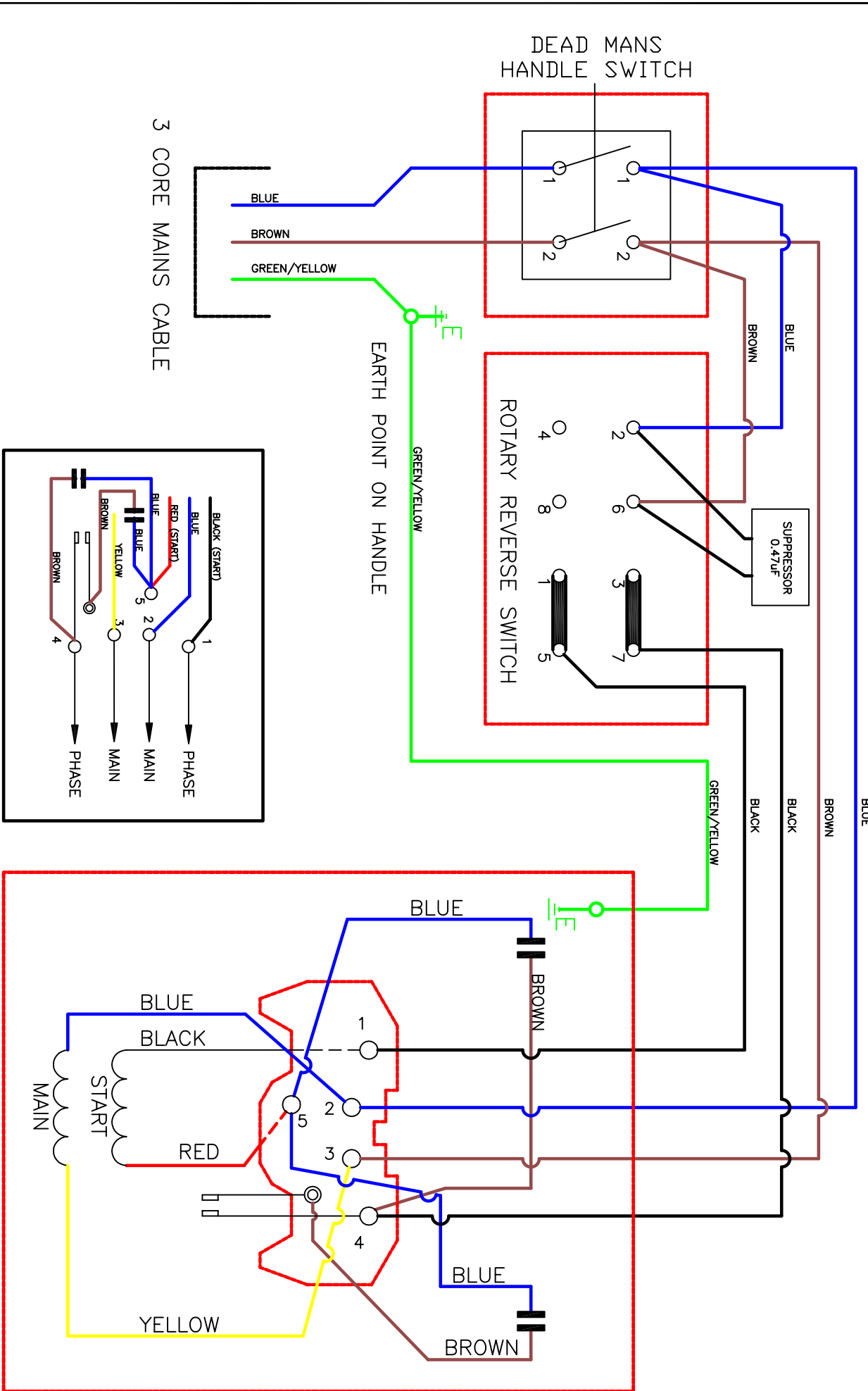
Drawing Number: N/A

| | | | |
|-----------------------|------------------------|------------------------------------|-------|
| Date: | 9/10/2009 | | |
| Machine: | CYCLONE RANGE MACHINES | | |
| Reference Parts List: | 05-4253-0000 | | |
| Modified By: | G SECHERE | DESCRIPTION OF CHANGE | ECN # |
| Revision: | C | INCREASED QTY OF #5 TO 6 & #8 TO 4 | 0135 |

| | | | |
|-------------------------------------|------------------------|------------------------------------|-------|
| Tacony CFC | | Cyclone Range Tank Assembly | |
| Part Reference: 05-4253-0000 | | | |
| Date: | 9/10/2009 | | |
| Machine: | CYCLONE RANGE MACHINES | | |
| Reference Drawing Number: | N/A | | |
| Modified By: | G SECHERE | DESCRIPTION OF CHANGE | ECN # |
| Revision: | C | INCREASE QTY OF #5 TO 6 & #8 TO 4 | 0135 |

| Ref. No. | Part No. | Part Description | Qty |
|------------------------|--------------|-------------------------------------|-----|
| CORE COMPONENTS | | | |
| 10 | 02-3278-0000 | NEOPRENE ADHESIVE STRIP | 4" |
| 11 | 02-4179-0000 | SILICON HOSE (CR TANK) 1.6M | 63" |
| 12 | 02-4212-0000 | WATER OUTLET BRASS NICKEL | 1 |
| 13 | 02-4213-0000 | BALL VALVE | 1 |
| 14 | 02-4360-0000 | SCREW SELF TAPPER | 4 |
| 15 | 03-3475-0000 | 1/4 INCH BRASS HEXNUT | 2 |
| 16 | 03-7297-0000 | WATER VALVE (BLUE) | 1 |
| 17 | 03-7302-0000 | SPRING LEE LC 0594 MWTO SPEC.ISS 01 | 1 |
| 18 | 03-7303-0000 | SOLUTION TANK ROD | 1 |
| 19 | 03-7304-0000 | FOAM HANDLE PAD | 1 |
| 20 | 03-7311-0000 | TANK BRACKET TOP | 1 |
| 21 | 03-7312-0000 | SOLUTION TANK BRACKET LOWER | 1 |
| 22 | 03-7661-0000 | VALVEINSERT | 1 |
| 23 | 03-7662-0000 | FILTER (NYLON) | 1 |
| 24 | 03-8178-0000 | CR RANGE SOLUTION TANK | 1 |
| FASTENERS | | | |
| 1 | 00-0300-0703 | M3 FULL NUT ST/ST | 2 |
| 2 | 00-0400-0503 | M4 WASHER FORM 'A' ST/ST | 4 |
| 3 | 00-0412-0013 | M4 X 12 POZI PAN HEAD SCREW ST/ST | 4 |
| 4 | 00-0500-0503 | M5 WASHER FORM A ST/ST | 2 |
| 5 | 00-0500-0521 | M5 INTERNAL SHAKEPROOF | 6 |
| 6 | 00-0500-0723 | M5 NYLOC NUT ST/ST | 1 |
| 7 | 00-0512-0033 | M5 x 12 COUNTERSUNK SCREW ST/ST | 2 |
| 8 | 00-0516-0013 | M5 x 16mm POZI PAN HD SCREW ST/ST | 4 |
| 9 | 00-0520-0013 | M5 x 20 POZI PAN SCREW ST/ST | 1 |

0.47µF SUPPRESSOR NOT FITTED TO USA VERSION, 110V 60HZ



| REV | DATE | ECN | DESCRIPTION | BY | MATERIAL | FINISH | SCALE | SHEET | DESCRIPTION |
|-----|---------|------|-------------|----|----------|--------|-------|-------|--|
| A | 3/18/10 | 0279 | NEW DRAWING | GS | | | | | 3101 Wichita Court Fort Worth, TX 76140-1755 TACOONY COMMERCIAL FLOOR CARE (CIMEX) WIRING DIAGRAM DMH SWITCH |