

**Tacony CFC**

**CR61/EURO Handle Assembly**

Drawing Number: 09-1047-0000

Date:	2/6/2009		
Machine:	CR61/EURO		
Reference Parts List:	05-4272-0000		
Modified By:	G SECHERE	DESCRIPTION OF CHANGE	ECN #
Revision:	B	COMPONENTS CHANGE	N/A

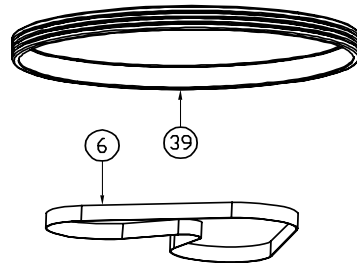
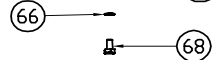
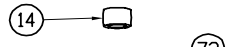
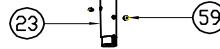
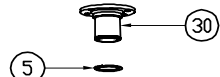
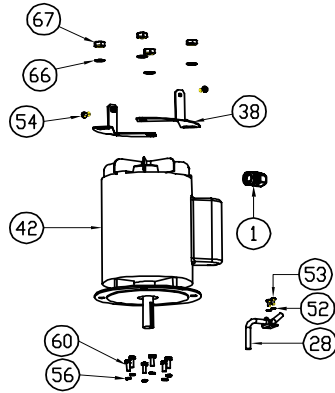
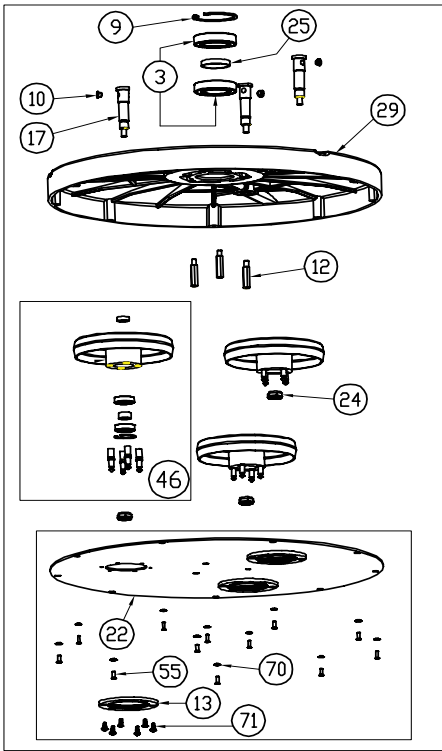
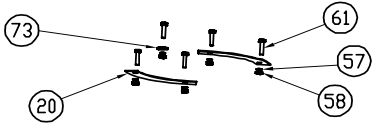
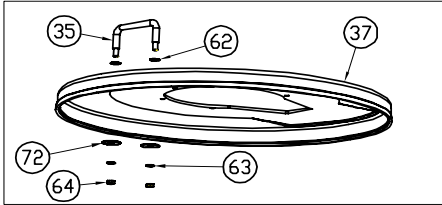
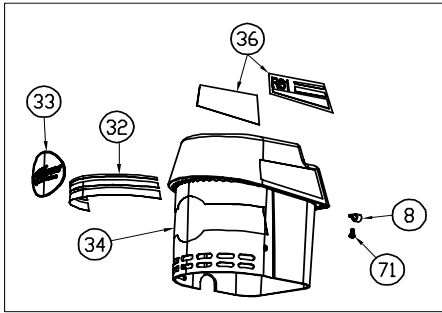
**Tacony CFC**

**CR61/EURO Handle Assembly**

Part Reference: 05-4272-0000

Date:	2/6/2009		
Machine:	CR61/EURO		
Reference Drawing Number:	09-1047-0000		
Modified By:	G SECHERE	DESCRIPTION OF CHANGE	ECN #
Revision:	B	COMPONENTS CHANGE	N/A

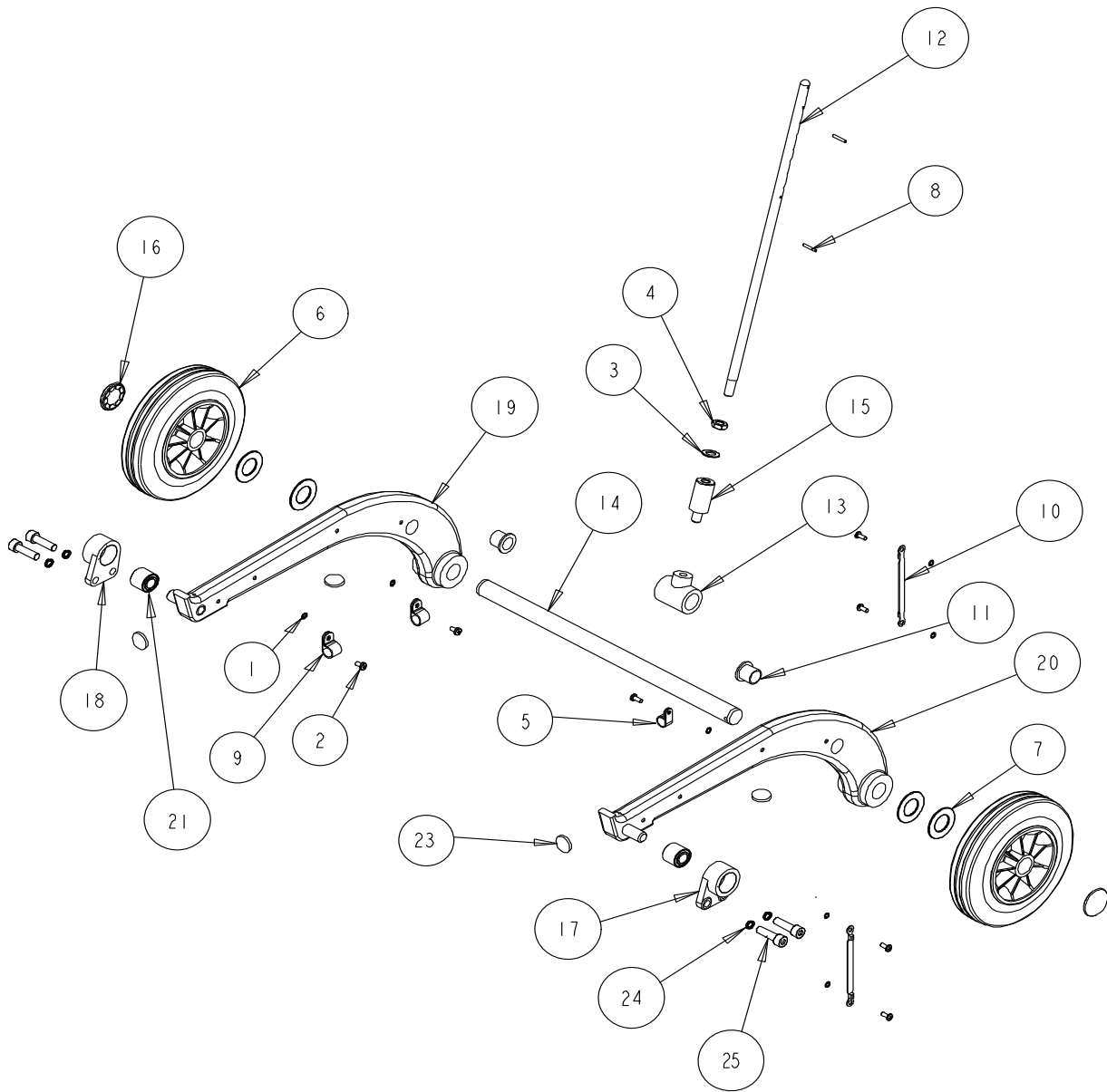
Ref. No.	Part No.	Part Description	Qty
<b>CORE COMPONENTS</b>			
1	02-3950-0000	3/4 in EXTERNAL CIRCLIP	1
2	02-4065-0000	SLEEVING 2MM CLEAR	4"
3	02-4175-0000	HANDLE GRIP	2
4	02-4176-0000	GROMMET	1
5	02-4186-0000	CABLE GLAND	1
6	02-4311-0000	PENNY WASHER	1
7	02-4149-0000	TYRAP - SMALL (BI) *NOT SOWHN*	7
10	03-6185-0000	EARTH POINT LABEL	1
11	03-6953-0000	LOCKING HANDLE	1
13	03-6957-0000	PIVOT	1
14	03-7281-0000	LEVER	1
16	03-7298-0000	SWITCH CAM LEVER	1
17	03-7300-1000	HANDLE BOX (FRONT & REAR SET)	1
18	03-7301-0000	WATER VALVE LEVER	1
19	03-7433-0000	CAM FOLLOWERS	1
20	03-7434-0000	SPRING	1
21	03-7435-0000	REVERSE SWITCH CAMS	1
22	03-7660-0000	CABLE HOOK	1
23	03-8005-0000	CR / RHD COMMON HANDLE FRAME	1
29	04-0286-0000	P CLIP (DROPLEAD)	1
30	02-4219-0000	P CLIP (MAINS CABLE)	1
31	04-3416-0000	SUPPRESSOR RF 0.47UF	1
33	04-3576-0000	CRIMP TERMINAL PRE-INSULATED *NOT SHOWN*	6
32	04-3480-0000	TERMINAL (FORK) *NOT SHOWN*	2
34	04-3481-0000	TERMINAL (SPRING SPADE) *NOT SHOWN*	4
35	04-3602-0000	TERMINAL (RING) *NOT SHOWN*	2
36	04-3681-0000	MAINS CABLE 2.5MM SQ GREY PVC 3 CORE *NOT SHOWN*	600"
37	04-3686-0000	SWITCH (MOMENTARY)	1
38	04-3809-0000	SWITCH (CAM OPERATED)	1
43	04-3553-0000	CABLE 2.5MM 14AWG BLACK *NOT SHOWN* (DROPLEAD)	174"
44	04-3556-0000	CABLE 2.5MM 14AWG BLUE *NOT SHOWN* (DROPLEAD)	87"
45	04-3558-0000	CABLE 2.5MM 14AWG BROWN *NOT SHOWN* (DROPLEAD)	87"
46	04-3559-0000	CABLE 2.5MM 14AWG GREEN/YELLOW *NOT SHOWN* (DROPLEAD)	87"
47	04-3030-0000	PLUG (EURO) *NOT SHOWN*	1
48	72470A	HEAT SHRINK TUBING	12"
<b>FASTENERS</b>			
50	00-0500-0503	M5 PLAIN WASHER	6
51	00-0500-0723	M5 NYLOC NUT	3
52	00-0510-0171	M5 x 10 SOCKET SET SCREW	1
53	00-0512-0013	M5 X 12 POZI PAN HEAD SCREW	6
54	00-0540-0013	SCREW, M5 X 40 PAN HEAD	2
55	00-1000-0703	M10 FULL NUT	1
56	00-0400-0523	M4 SHAKEPROOF WASHER	2
57	00-0410-0023	M410 POZI PAN HEAD	2
58	00-0400-0703	M4 FULL NUT	2
59	00-0308-0013	M3x8 POZI PAN HD SCREW	1
61	00-0300-0503	M3 PLAIN WASHER	1
62	00-0500-0507	M5 BRASS WASHER	3
63	00-0500-0703	M5 FULL NUT	2
64	00-0500-0713	M5 LOCK NUT	1
65	00-0500-0521	M5 SHAKEPROOF WASHER Z/P	1
66	00-1000-0523	M10 SHAKEPROOF WASHER	1
67	00-0520-0013	M5x20 POZI PAN HD SCREW	1
68	00-0518-0013	M5 X 12 POZI PAN HEAD SCREW	1



<b>Tacony CFC</b>		<b>CR61/EURO Head Assembly</b>	
Drawing Number: 09-1098-0000			
Date:	2/6/2009		
Machine:	CR61/EURO		
Reference Parts List:	05-4050-0000		
Modified By:	G SECHERE	DESCRIPTION OF CHANGE	ECN #
Revision:	B	COMPONENTS CHANGE	N/A

Tacony CFC		CR61/EURO Head Assembly	
Part Reference: 05-4050-0000			
Date:	2/6/2009		
Machine:	CR61/EURO		
Reference Drawing Number:	09-1098-0000		
Modified By:	G SECHERE	DESCRIPTION OF CHANGE	ECN #
Revision:	B	COMPONENTS CHANGE	N/A

Ref. No.	Part No.	Part Description	Qty
<b>CORE COMPONENTS</b>			
1	02-3965-0000	CABLE GLAND & NUT 33088010 & 34588375 m20x1.5 black	1
3	02-4020-0000	BALL RACE 6009-2RS (RHP BRAND ONLY)	2
5	02-4024-0000	EXTERNAL CIRCLIP 1400-45MM	1
6	02-4194-0000	BELT 1619 x 30mm NITTA LA500 (BLU E/BLUE) (TOLERANCE +3 -7)	1
8	02-4279-0000	P CLIP HEYCO 350-3364	1
9	02-4380-0000	CIRCLIP INTERNAL 1300-75MM	1
10	02-4381-0000	(BI)PLASTIC INSERT REF 12157	3
12	03-6946-0000	BOTTOM COVER SPACER	3
13	03-6910-0000	DUST SEAL FULLY FINISHED	3
14	03-6927-0000	DRIVE PULLEY DRG. ISS 1	1
15	03-6930-0000	ROUND END ST KEYS 3/16 X 3/16 X 25mm	1
16	03-6931-0000	ROUND HD ST KEYS 3/16 X 3/16 X 5/81N	1
17	03-6944-0000	BRUSH SPINDLE (BRASS)	3
20	03-6994-0000	FIXING SECTOR BZP	2
21	03-6998-0000	MOTOR MOUNTING PLATE - TYCO MOTORS	1
22	03-7037-0000	BOTTOM COVER PLATE TO FIT 61 SIZE MACHINES	1
23	03-7038-0000	EXTENSION SHAFT	1
24	03-7220-0000	(BI)M16 NYLOC NUT FULLY MACHINED DRG ISS B	3
25	03-7284-0000	SPACER FOR CENTRE BEARING 48 SERIES	1
28	03-7319-0000	WATER TUBE BRIGHT ZINC PLATE	1
29	03-7329-0000	BOWL EDU 61 SERIES (ORDER 40038)ALOCROM & PAINT BLUE RAL5013	1
30	03-7330-0000	SPIGOT PLATE	1
32	03-7654-0000	DECAL MOTOR COVER CYCLONE TO DRG. ISSUE '01'	1
33	03-7655-0000	DECAL MOTOR COVER CYCLONE TO DRG. ISSUE '01'	1
34	03-7657-0000	CR48 MOTOR COVER	1
35	03-7668-0000	LIFTING HANDLE	1
36	03-7686-0000	LABEL - MOTOR COVER R61 DRG ISS 1	1
37	03-7696-0000	EDU COVER - YELLOW FULLY FINISHED	1
38	03-7833-0000	MOTOR COVER BRACKET	2
39	03-7835-0000	BUMPER RUBBER BLUE RAIL 5013	6'
40	03-7944-0000	CI M EX FROM TRUVOX LABEL (LARGE 96 x 85m m) *NOT SHOWN*	1
42	04-3486-0000	MOTOR 1.1 KW 1. 5H P 200-240V/200-240V 50/60HZISS B	1
43	04-3602-0000	#10 16-14 INSULATED RING TERMINAL *NOT SHOWN*	5
46	05-4545-0000	CR48 STD BRUSH PULLEY ASSEMBLY	3
47	72470A	HEAT SHRINK BLACK	12"
<b>FASTENERS</b>			
52	00-0400-0523	M4 INTERNAL SHAKEPROOF WASHER ST/STL	2
53	00-0408-0013	M4 x 8 POZI PAN HEAD SCREW ST/ST	2
54	00-0512-0013	M5 x 12 POZI PAN HEAD SCREW ST/ST	2
55	00-0512-0033	M5 x 12 C'SNK POZI PAN HEAD SCREW ST/ST	12
56	X8217+	5/16 SPLIT LOCK WASHER	6
57	00-0600-0523	M6 INTERNAL SHAKEPROOF ST/ST	5
58	00-0600-0703	M6 FULL NUT ST/ST	5
59	00-0606-0171	GRUB SCREW M6 x 6 SOCKET HEAD	2
60	00-0816-0123	M8 x 16 HEX HEAD BOLT A2	6
61	00-0625-0113	M6 x 25 HEX HEAD SCREW ST/ST	5
62	00-0800-0503	M8 WASHER ST/ST	2
63	00-0800-0523	M8 SHAKEPROOF WASHER ST/ST	2
64	00-0800-0713	M8 LOCK NUT BZP	2
65	7CL003	M10 SPRING WASHER ST/ST	2
66	00-1000-0523	M10 INTERNAL SHAKEPROOF WASHER	5
67	00-1000-0703	M10 FULL NUT ST/ST	4
68	00-1025-0111	M10 x 20 BOLT ST/ST	1
69	00-1040-0113	M10 x 40 BOLT ST/ST	4
70	02-4320-0000	BRASS CUP WASHER	12
71	02-4323-0000	No.10 x 1/2" PAN HD POZI S/TAP SCREW ST/ST	19
72	02-4335-0000	M10 x 30 PENNY WASHER ST/ST	3
73	02-4367-0000	WASHER M6 x 20 ST/ST	1



**Tacony CFC**

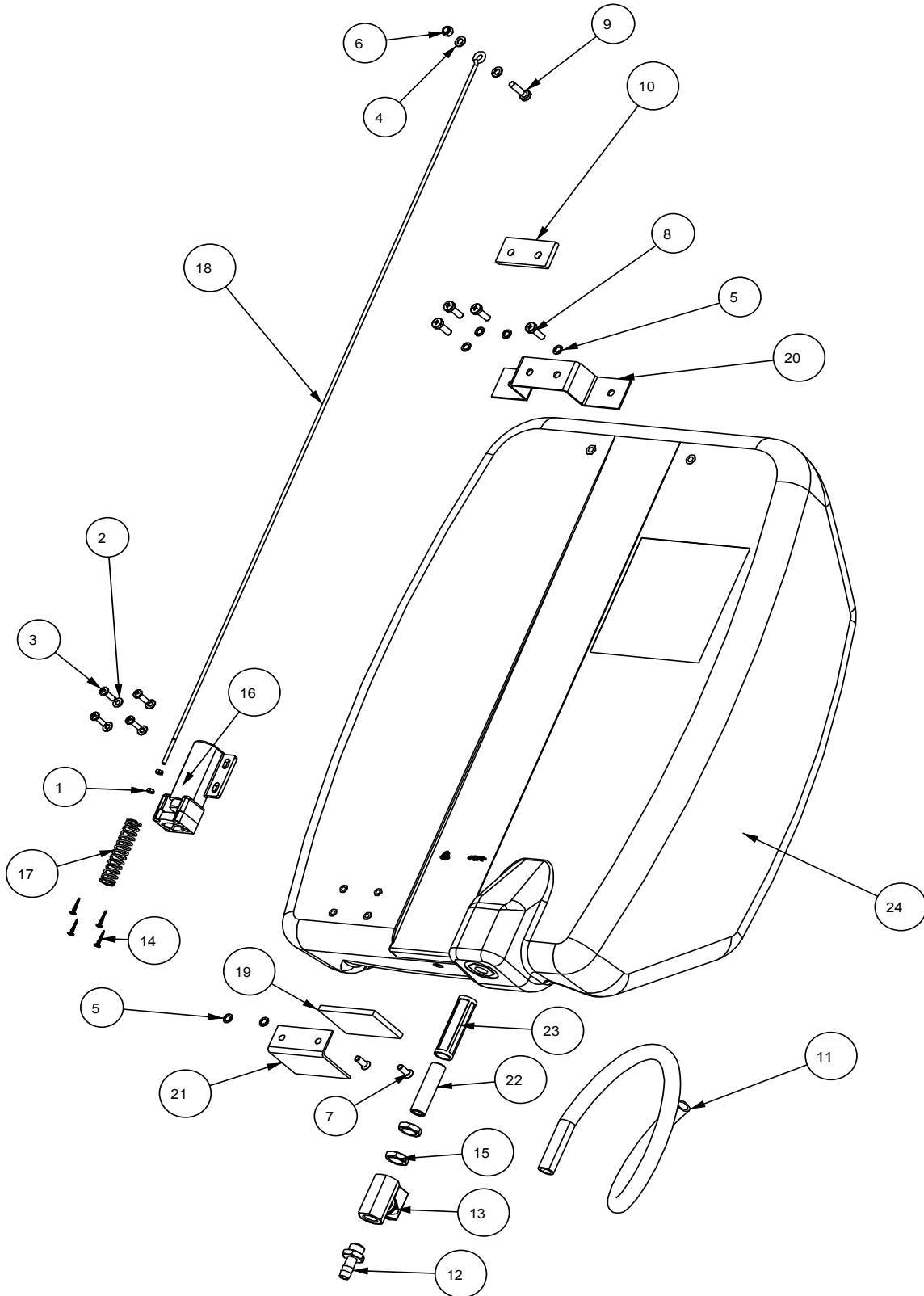
**CR61/EURO Chassis Assembly**

**Drawing Number: 09-1097-0000**

Date:	2/6/2009		
Machine:	CR61/EURO		
Reference Parts List:	05-4540-0000		
Modified By:	G SECHERE	DESCRIPTION OF CHANGE	ECN #
Revision:	B	COMPONENTS CHANGE	N/A

<b>Tacony CFC</b>		<b>CR61/EURO Chassis assembly</b>	
<b>05-4540-0000</b>			
Date:	2/6/2009		
Machine:	CR61/EURO		
Reference Drawing Number:	09-1097-0000		
Approved By:	G SECHERE	<b>DESCRIPTION OF CHANGE</b>	<b>ECN #</b>
Revision:	B	COMPONENTS CHANGE	N/A

Ref. No.	Part No.	Part Description	Qty
<b>CORE COMPONENTS</b>			
5	02-4279-0000	P CLIP (WATER HOSE)	1
6	02-4137-0000	8" WHEEL MODIFIED	2
7	02-4363-0000	WASHER (USED AS WHEEL SPACER SUBJECT TO QTY CHANGE)	4
8	02-4208-0000	1/8 x 7/8 SELLOCK PIN BZP	2
9	02-4448-0000	P-CLIP	2
10	03-6899-0000	EARTHING LEAD INTEGRAL TERM	2
11	03-6919-0000	FORK HANDLE BUSHING (BLACK)	2
12	03-7279-0000	SWIVEL CLAMP ROD	1
13	03-7306-0000	TEE PIECE	1
14	03-7308-0000	AXLE - CR48, CR61	1
15	03-7318-0000	TEE PIECE EXTENSION	1
16	03-7658-0000	STARLOCK HUB CAP	2
17	03-6926-0000	PIVOT BRACKET L/H ALOCROM &	1
18	03-6925-0000	PIVOT BRACKET R/H ALOCROM &	1
19	03-8173-0000	FORK CASTING R/H R61 AND R76	1
20	03-8172-0000	FORK CASTING L/H R61 AND R76	1
21	03-6929-0000	SILENT BEARING	2
22	04-3688-0000	20MM BLACK POLYTHENE CONDUIT *NOT SHOWN*	43"
23	02-4187-0000	BUFFER RUBBER 19mm x 1.5mm	4
<b>FASTENERS</b>			
1	00-0500-0521	M5 INTERNAL SHAKEPROOF	7
2	00-0512-0013	M5 x 12 POZI PAN HEAD SCREW ST ST	7
3	00-1200-0503	M12 WASHER FORM B ST/STL	1
4	00-1200-0713	M12 LOCKNUT ST/STL	1
24	7CL003	M10 SPRING WASHER ST/ST	4
25	00-1030-0103	M10x30 CAP HD SCREW ST/ST	4



**Tacony CFC**

**Cyclone Range Tank Assembly**

Drawing Number: N/A

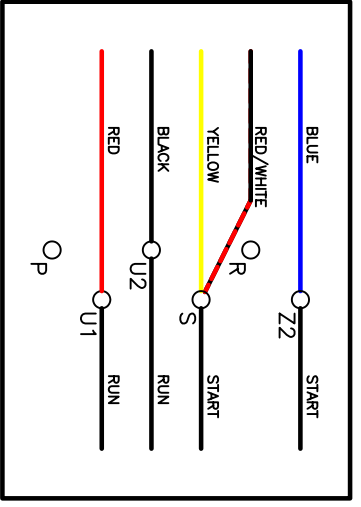
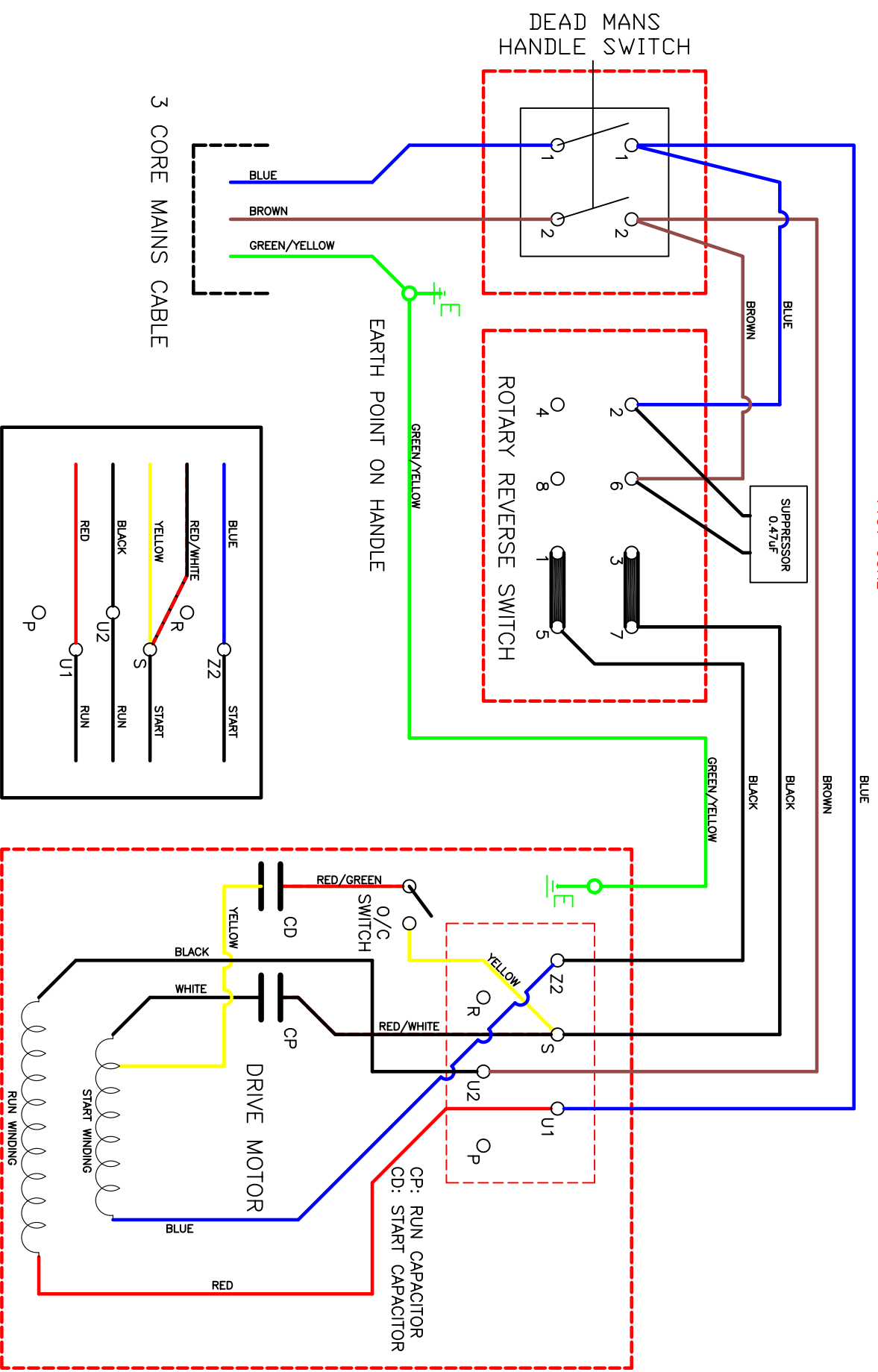
Date:	9/10/2009		
Machine:	CYCLONE RANGE MACHINES		
Reference Parts List:	05-4253-0000		
Modified By:	G SECHERE	DESCRIPTION OF CHANGE	ECN #
Revision:	C	INCREASED QTY OF #5 TO 6 & #8 TO 4	0135

<b>Tacony CFC</b>		<b>Cyclone Range Tank Assembly</b>	
<b>Part Reference: 05-4253-0000</b>			
Date:	9/10/2009		
Machine:	CYCLONE RANGE MACHINES		
Reference Drawing Number:	N/A		
Modified By:	G SECHERE	DESCRIPTION OF CHANGE	ECN #
Revision:	C	INCREASE QTY OF #5 TO 6 & #8 TO 4	0135

Ref. No.	Part No.	Part Description	Qty
<b>CORE COMPONENTS</b>			
10	02-3278-0000	NEOPRENE ADHESIVE STRIP	4"
11	02-4179-0000	SILICON HOSE (CR TANK) 1.6M	63"
12	02-4212-0000	WATER OUTLET BRASS NICKEL	1
13	02-4213-0000	BALL VALVE	1
14	02-4360-0000	SCREW SELF TAPPER	4
15	03-3475-0000	1/4 INCH BRASS HEXNUT	2
16	03-7297-0000	WATER VALVE (BLUE)	1
17	03-7302-0000	SPRING LEE LC 0594 MWTO SPEC.ISS 01	1
18	03-7303-0000	SOLUTION TANK ROD	1
19	03-7304-0000	FOAM HANDLE PAD	1
20	03-7311-0000	TANK BRACKET TOP	1
21	03-7312-0000	SOLUTION TANK BRACKET LOWER	1
22	03-7661-0000	VALVEINSERT	1
23	03-7662-0000	FILTER (NYLON)	1
24	03-8178-0000	CR RANGE SOLUTION TANK	1
<b>FASTENERS</b>			
1	00-0300-0703	M3 FULL NUT ST/ST	2
2	00-0400-0503	M4 WASHER FORM 'A' ST/ST	4
3	00-0412-0013	M4 X 12 POZI PAN HEAD SCREW ST/ST	4
4	00-0500-0503	M5 WASHER FORM A ST/ST	2
5	00-0500-0521	M5 INTERNAL SHAKEPROOF	6
6	00-0500-0723	M5 NYLOC NUT ST/ST	1
7	00-0512-0033	M5 x 12 COUNTERSUNK SCREW ST/ST	2
8	00-0516-0013	M5 x 16mm POZI PAN HD SCREW ST/ST	4
9	00-0520-0013	M5 x 20 POZI PAN SCREW ST/ST	1



0.47uF SUPPRESSOR NOT FITTED  
TO USA VERSION.  
110V 60Hz



3RD ANGLE PROJECTION  
DIMENSIONS IN  
MILLIMETRES  
DO NOT SCALE DRAWING  
©COPYRIGHT

Material	Finish	Scale
-----	-----	N.T.S.
Drawn	Checked	Date
G SECHERE	G SECHERE	03-09-09

General Tolerance  
±0.25

**TRUVOX™ INTERNATIONAL LIMITED**  
(CIMEX) CR61 WIRING DIAGRAM  
DMH WITH TYCO MOTOR

Drawing/Part Number  
09-1150-0000

RED  
ON  
MASTER

Issue	Sig./Date
Amendments	03-09-09
A	G. SECHERE
NEW DRAWING	