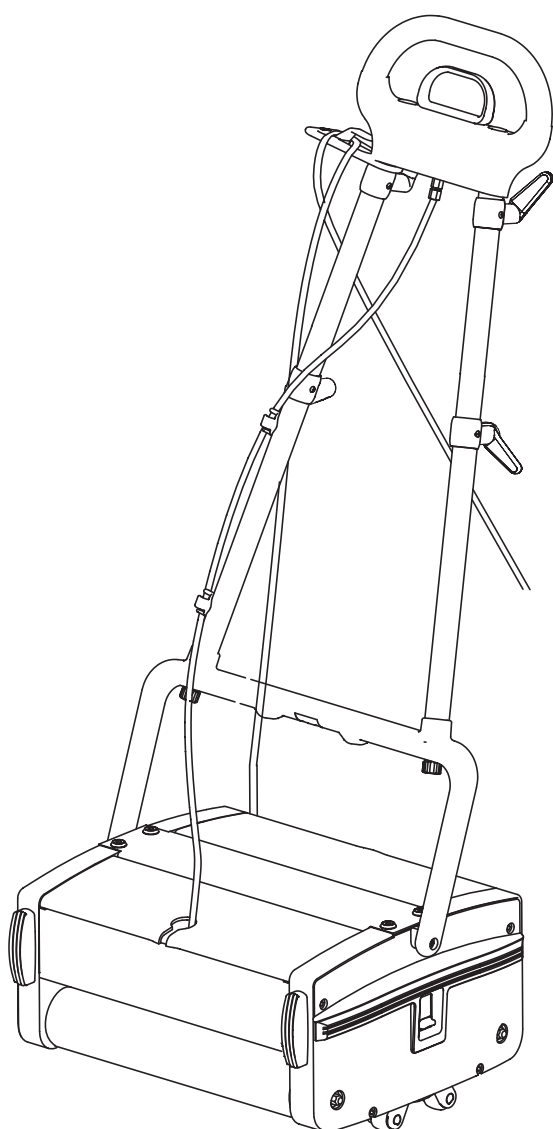


## Spare parts list

Machine serial number starting from  
002315 P 04

**MW340**  
Series C



**03-8098-0000**  
Issue : 1

---

## NOTES

Spare parts orders should be sent to your designated Truvox agent or contact Truvox direct using the details at the bottom of this page.

All information, illustrations and specifications contained in this manual are based on the latest production information available at the time of publication. The right is reserved to make changes on all information at any time without notice.

Repairs and servicing should only be completed by a Truvox International authorised and approved organisation, where only original Truvox supplied components will be fitted. Failure to comply with this will invalidate the warrantee.

When ordering spare parts please state the following:

- a) Type and Serial number of the machine.
- b) Complete description and part number (as given in this booklet) of the required spare part and quantity required



Truvox International Limited,  
Third Avenue, Millbrook, Southampton,  
Hampshire SO15 0LE England  
Tel: +44 (0) 23 8070 2200 Fax: +44 (0) 23 8070 5001  
e-mail: [truvox@truvox.com](mailto:truvox@truvox.com) <http://www.truvox.com>

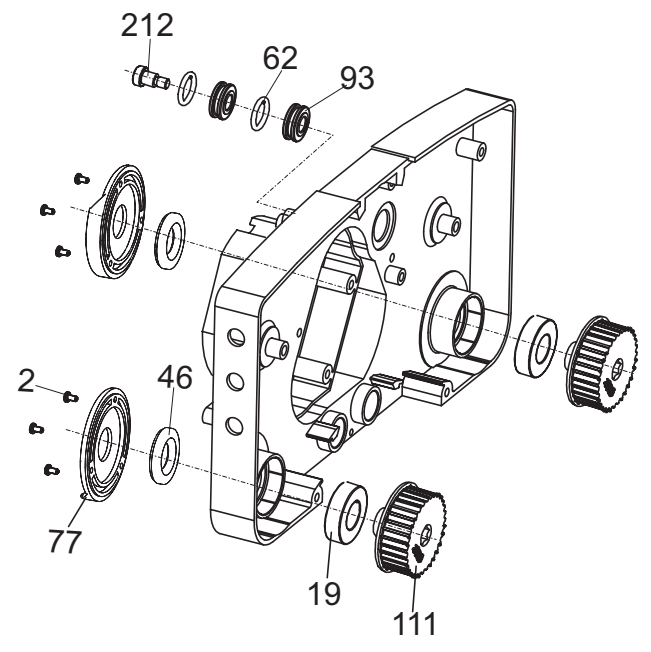
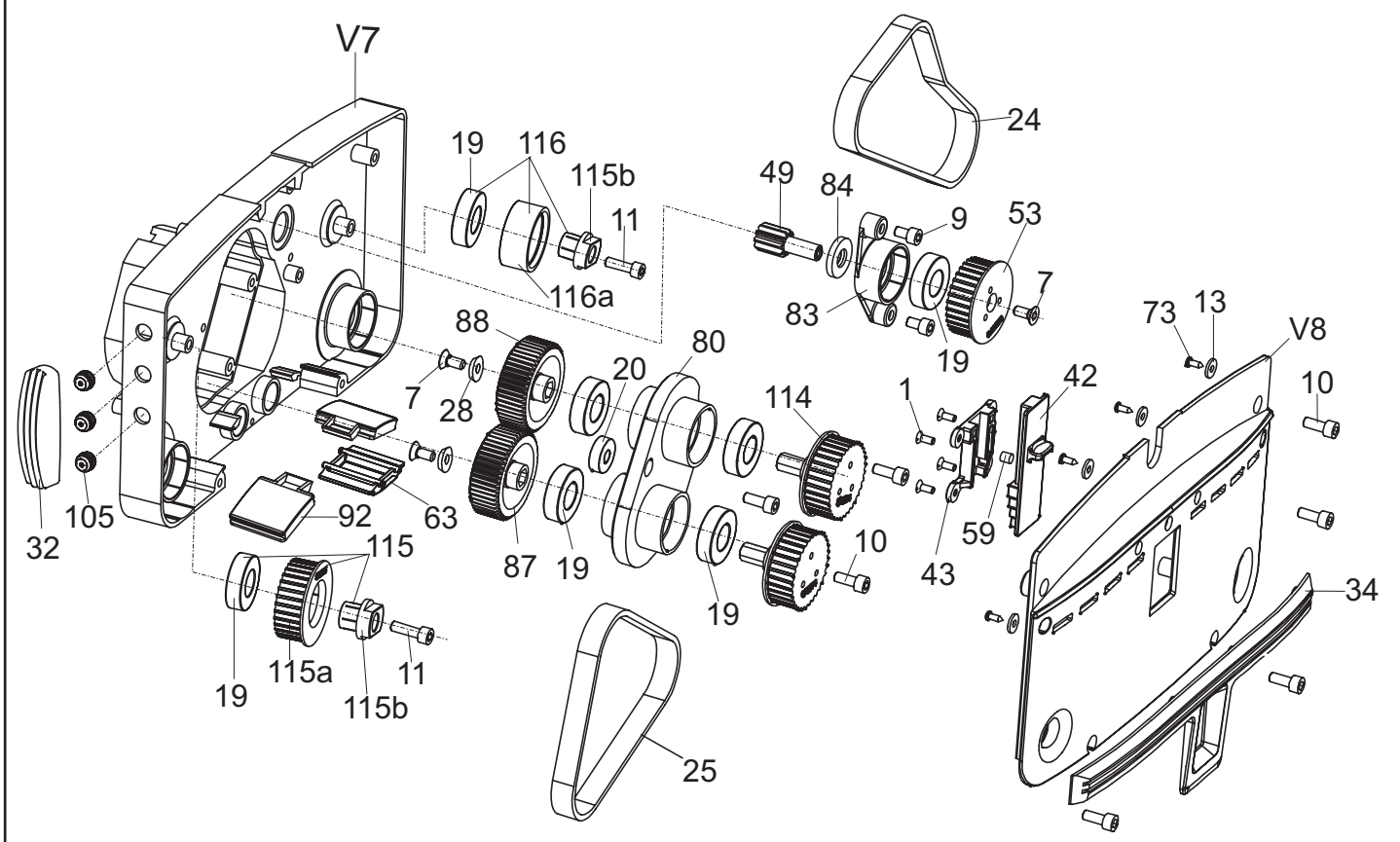
---

---

---

## CONTENTS

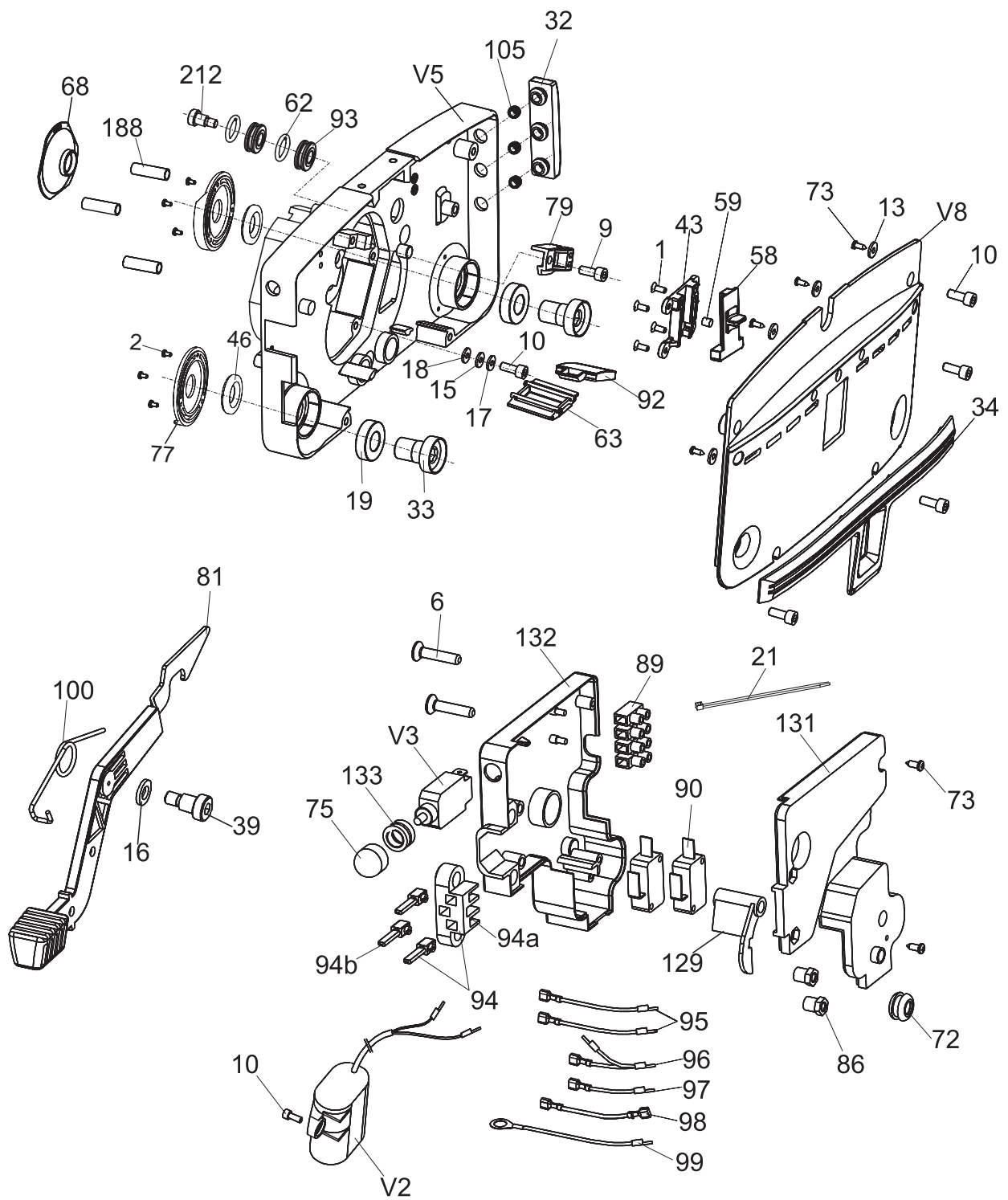
|                                 |       |
|---------------------------------|-------|
| Housing-Drive Side              | 5     |
| Housing-Idle Side               | 7 & 9 |
| Tank Assembly                   | 11    |
| Lever and Guide Link Mechanism  | 13    |
| Handle Assembly                 | 15    |
| Motor, Drum and Bridge Assembly | 17    |
| Accessories                     | 19    |



# Housing-Drive Side

5

| Ref. No | Part No      | Description                | Size       | Qty |
|---------|--------------|----------------------------|------------|-----|
| 1       | 90-0258-0000 | CSK SCREW                  | M4x10      | 4   |
| 2       | 90-0001-0000 | CRPH SCREW                 | M3x6       | 6   |
| 7       | 90-0143-0000 | CSK SCREW                  | M6x14      | 3   |
| 9       | 90-0293-0000 | ALLEN SCREW                | M6x10      | 2   |
| 10      | 90-0144-0000 | ALLEN SCREW                | M6x16      | 7   |
| 11      | 90-0005-0000 | ALLEN SCREW                | M6x20      | 2   |
| 13      | 90-0007-0000 | WASHER                     | 4.2x12x1.6 | 4   |
| 19      | 90-0009-0000 | BEARING                    | 6003 2RS   | 9   |
| 20      | 90-0121-0000 | BEARING                    | 608 2Z     | 1   |
| 24      | 90-0011-0000 | BELT                       | 500 5 M    | 1   |
| 25      | 90-0012-0000 | BELT                       | 425 5 M    | 1   |
| 28      | 90-0152-0000 | WASHER                     |            | 2   |
| 32      | 90-0154-0000 | BUMPER                     |            | 1   |
| 34      | 90-0156-0000 | BUMPER                     |            | 1   |
| 42      | 90-0024-0000 | BRUSH SLIDER               |            | 1   |
| 43      | 90-0025-0000 | SLIDER HOUSING             |            | 1   |
| 46      | 90-0027-0000 | SEAL                       |            | 2   |
| 49      | 90-0029-0000 | PINION                     |            | 1   |
| 53      | 90-0031-0000 | DRUM SPROCKET              |            | 1   |
| 59      | 90-0035-0000 | PIN                        |            | 1   |
| 62      | 90-0176-0000 | O' RING                    |            | 2   |
| 63      | 90-0040-0000 | SHIELD                     |            | 1   |
| 73      | 90-0183-0000 | SELF TAPPING SCREW         |            | 4   |
| 77      | 90-0020-0000 | CAP                        |            | 2   |
| 80      | 90-0285-0000 | GEAR HOUSING               |            | 1   |
| 83      | 90-0268-0000 | HOUSING SPROCKET           |            | 1   |
| 84      | 90-0264-0000 | SEAL                       |            | 1   |
| 87      | 90-0286-0000 | GEAR – LH                  |            | 1   |
| 88      | 90-0287-0000 | GEAR - RH                  |            | 1   |
| 92      | 90-0267-0000 | SHIELD                     |            | 2   |
| 93      | 90-0294-0000 | ROLLER                     |            | 2   |
| 105     | 90-0390-0000 | BUMPER SLEEVE              |            | 3   |
| 111     | 90-0061-0000 | BRUSH SPROCKET             |            | 2   |
| 114     | 90-0063-0000 | GEAR SPROCKET              |            | 2   |
| 115     | 90-0065-0000 | IDLER ASSY                 |            | 1   |
| 115a    | 90-0169-0000 | SPROCKET                   |            | 1   |
| 115b    | 90-0161-0000 | HUB                        |            | 2   |
| 116     | 90-0197-0000 | IDLER ASSY                 |            | 1   |
| 116a    | 90-0166-0000 | SLEEVE                     |            | 1   |
| 212     | 90-0392-0000 | STUB AXLE                  |            | 1   |
| V7,V8   |              | Variants Refer Page No. 19 |            |     |



---

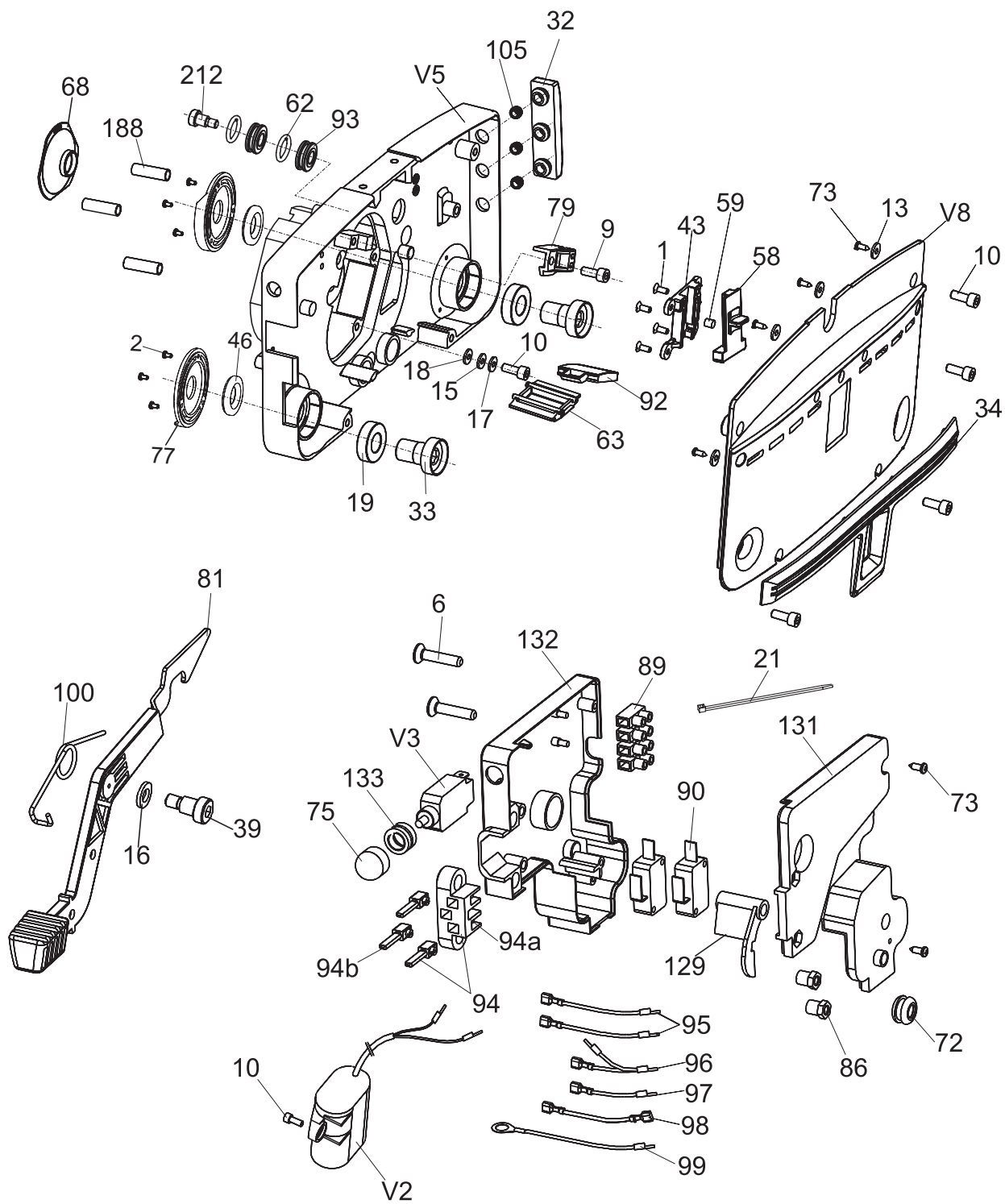
# Housing-Idle Side

7

---

| Ref. No | Part No      | Description        | Size       | Qty |
|---------|--------------|--------------------|------------|-----|
| 1       | 90-0258-0000 | CSK SCREW          | M4x10      | 4   |
| 2       | 90-0001-0000 | CRPH SCREW         | M3x6       | 6   |
| 6       | 90-0261-0000 | CSK SCREW          | M5x25      | 2   |
| 9       | 90-0293-0000 | ALLEN SCREW        | M6x10      | 1   |
| 10      | 90-0144-0000 | ALLEN SCREW        | M6x16      | 6   |
| 13      | 90-0007-0000 | WASHER             | 4.2x12x1.6 | 4   |
| 15      | 90-0147-0000 | WASHER             | 6.4x12x1.6 | 1   |
| 16      | 90-0395-0000 | WASHER             | 9x17x1.6   | 1   |
| 17      | 90-0298-0000 | SPRING WASHER      | M6         | 1   |
| 18      | 90-0148-0000 | TOOTHED WASHER     | M6         | 1   |
| 19      | 90-0009-0000 | BEARING            | 6003 2RS   | 2   |
| 21      | 90-0149-0000 | WIRE TIE           |            | 2   |
| 32      | 90-0154-0000 | BUMPER             |            | 1   |
| 33      | 90-0155-0000 | BUSH               |            | 2   |
| 34      | 90-0156-0000 | BUMPER             |            | 1   |
| 39      | 90-0123-0000 | STUB AXLE          |            | 1   |
| 43      | 90-0025-0000 | SLIDER HOUSING     |            | 1   |
| 46      | 90-0027-0000 | SEAL               |            | 2   |
| 58      | 90-0033-0000 | TRANSPORT SLIDER   |            | 1   |
| 59      | 90-0035-0000 | PIN                |            | 1   |
| 62      | 90-0176-0000 | O' RING            |            | 2   |
| 63      | 90-0040-0000 | SHIELD             |            | 1   |
| 68      | 90-0179-0000 | FAN COVER          |            | 1   |
| 72      | 90-0045-0000 | GROMMET            |            | 1   |
| 73      | 90-0183-0000 | SELF TAPPING SCREW |            | 6   |
| 75      | 90-0048-0000 | CAP                |            | 1   |
| 77      | 90-0020-0000 | CAP                |            | 2   |
| 79      | 90-0188-0000 | STOPPER            |            | 1   |
| 81      | 90-0259-0000 | PEDAL              |            | 1   |
| 86      | 90-0297-0000 | NUT                |            | 2   |
| 89      | 90-0269-0000 | CONNECTOR          |            | 1   |
| 90      | 90-0283-0000 | SWITCH             |            | 2   |
| 92      | 90-0267-0000 | SHIELD             |            | 1   |
| 93      | 90-0294-0000 | ROLLER             |            | 2   |
| 94      | 90-0290-0000 | SOCKET ASSY        |            | 1   |
| 94a     | 90-0291-0000 | SOCKET             |            | 1   |
| 94b     | 90-0292-0000 | TERMINAL           |            | 3   |
| 95      | 90-0278-0000 | CABLE              |            | 2   |
| 96      | 90-0279-0000 | CABLE              |            | 1   |
| 97      | 90-0280-0000 | CABLE              |            | 1   |
| 98      | 90-0281-0000 | CABLE              |            | 1   |

---





---

# Housing-Idle Side

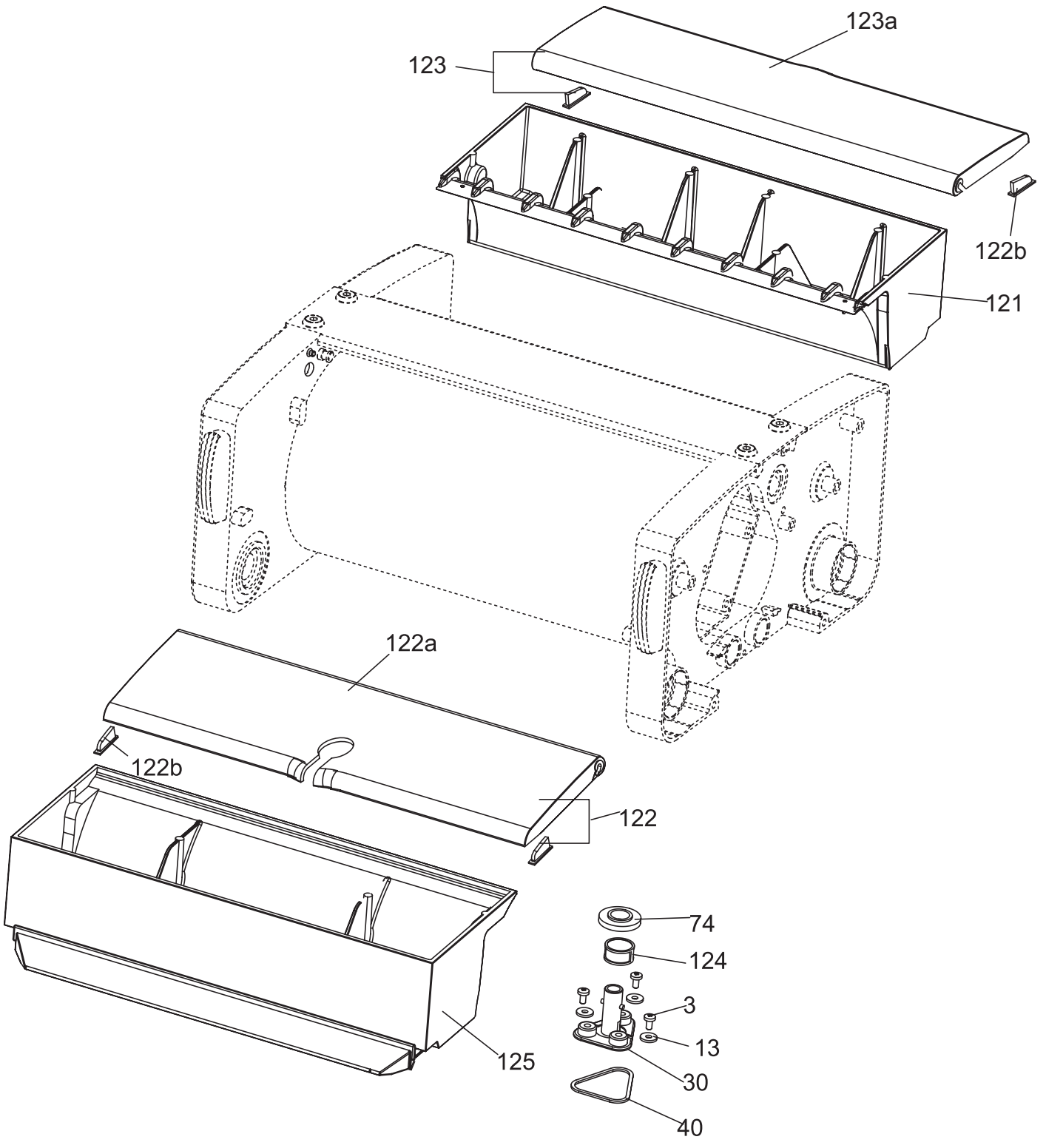
9

---

| Ref. No | Part No      | Description                | Size | Qty |
|---------|--------------|----------------------------|------|-----|
| 99      | 90-0282-0000 | CABLE                      |      | 1   |
| 100     | 90-0260-0000 | SPRING-PEDAL               |      | 1   |
| 105     | 90-0390-0000 | BUMPER SLEEVE              |      | 3   |
| 129     | 90-0265-0000 | LEVER SWITCH ACT           |      | 1   |
| 131     | 90-0262-0000 | INSULATION TOP             |      | 1   |
| 132     | 90-0263-0000 | INSULATION BOTTOM          |      | 1   |
| 133     | 90-0295-0000 | NUT                        |      | 1   |
| 188     | 90-0397-0000 | SLEEVE TIE ROD             |      | 3   |
| 212     | 90-0392-0000 | STUB AXLE                  |      | 1   |
| V2,V3,  |              | Variants Refer Page No. 19 |      |     |
| V5,V8   |              | Variants Refer Page No. 19 |      |     |

---





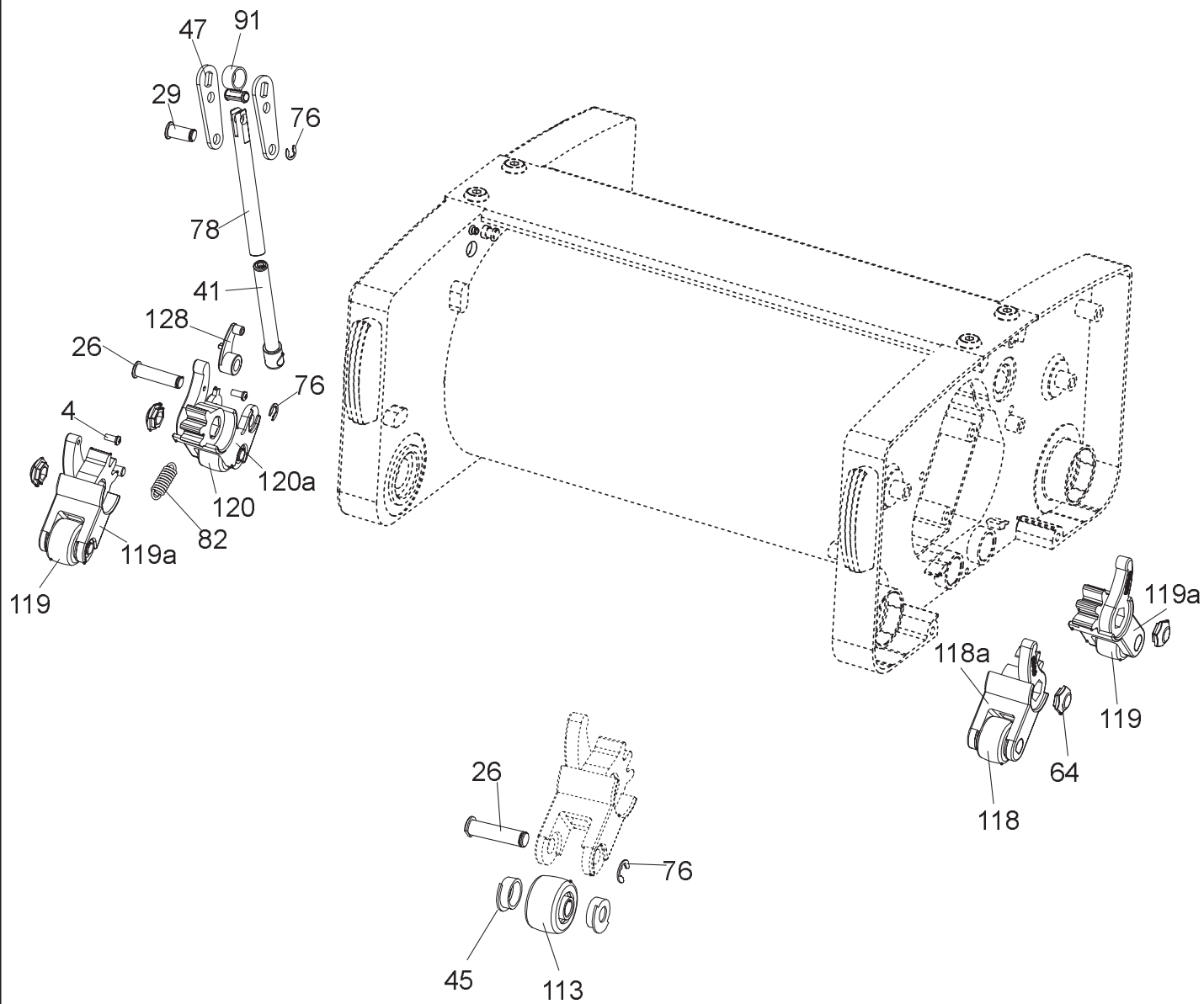
---

# Tank Assembly

11

---

| Ref. No | Part No      | Description          | Size       | Qty |
|---------|--------------|----------------------|------------|-----|
| 3       | 90-0002-0000 | CRPH SCREW           | M4x8       | 3   |
| 13      | 90-0007-0000 | WASHER               | 4.2x12x1.6 | 3   |
| 30      | 90-0016-0000 | VALVE BODY           |            | 1   |
| 40      | 90-0023-0000 | GASKET               |            | 1   |
| 74      | 90-0047-0000 | SPACER               |            | 1   |
| 121     | 90-0072-0000 | DIRTY WATER TANK     |            | 1   |
| 122     | 90-0074-0000 | LID ASSY-FRESH WATER |            | 1   |
| 122a    | 90-0185-0000 | LID-FRESH WATER      |            | 1   |
| 122b    | 90-0055-0000 | LID PAD              |            | 4   |
| 123     | 90-0075-0000 | LID ASSY-DIRTY WATER |            | 1   |
| 123a    | 90-0184-0000 | LID-DIRTY WATER      |            | 1   |
| 124     | 90-0076-0000 | FILTER               |            | 1   |
| 125     | 90-0077-0000 | FRESH WATER TANK     |            | 1   |



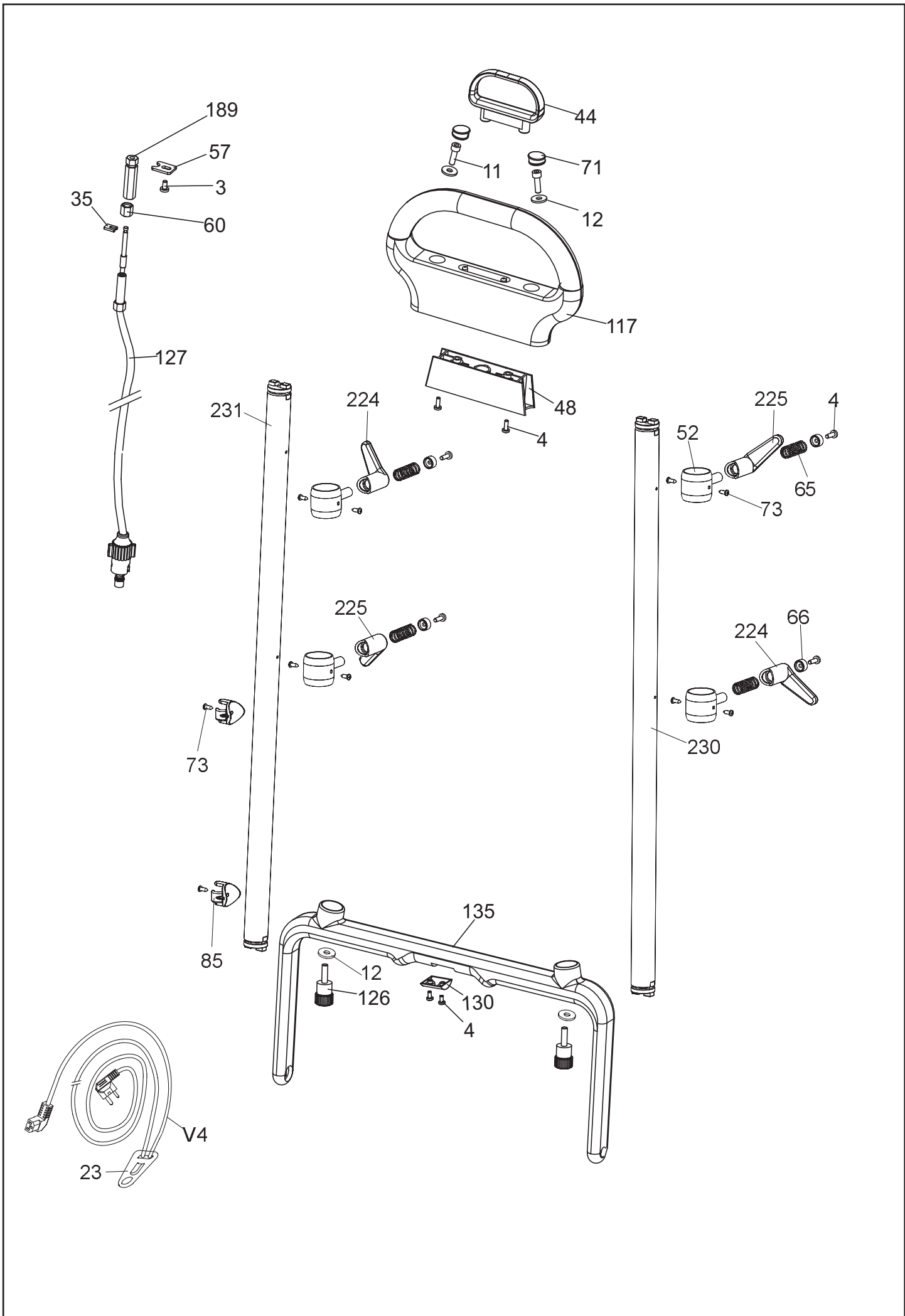
---

# Lever and Guide Link Mechanism

13

---

| Ref. No | Part No      | Description  | Size  | Qty |
|---------|--------------|--------------|-------|-----|
| 4       | 90-0046-0000 | CRPH SCREW   | M4x12 | 2   |
| 26      | 90-0151-0000 | CLEVIS PIN   |       | 5   |
| 29      | 90-0153-0000 | CLEVIS PIN   |       | 1   |
| 41      | 90-0159-0000 | LINK         |       | 1   |
| 45      | 90-0162-0000 | SHIELD       |       | 8   |
| 47      | 90-0163-0000 | LEVER        |       | 2   |
| 64      | 90-0177-0000 | LEVER BUTTON |       | 4   |
| 76      | 90-0051-0000 | CIRCLIP      |       | 6   |
| 78      | 90-0186-0000 | LINK GUIDE   |       | 1   |
| 82      | 90-0284-0000 | SPRING       |       | 1   |
| 91      | 90-0257-0000 | BUSH         |       | 1   |
| 113     | 90-0196-0000 | WHEEL        |       | 4   |
| 118     | 90-0068-0000 | LEVER ASSY   |       | 1   |
| 118a    | 90-0173-0000 | LEVER        |       | 1   |
| 119     | 90-0069-0000 | LEVER ASSY   |       | 2   |
| 119a    | 90-0174-0000 | LEVER        |       | 2   |
| 120     | 90-0070-0000 | LEVER ASSY   |       | 1   |
| 120a    | 90-0175-0000 | LEVER        |       | 1   |
| 128     | 90-0266-0000 | LEVER SWITCH |       | 1   |



---

# Handle Assembly

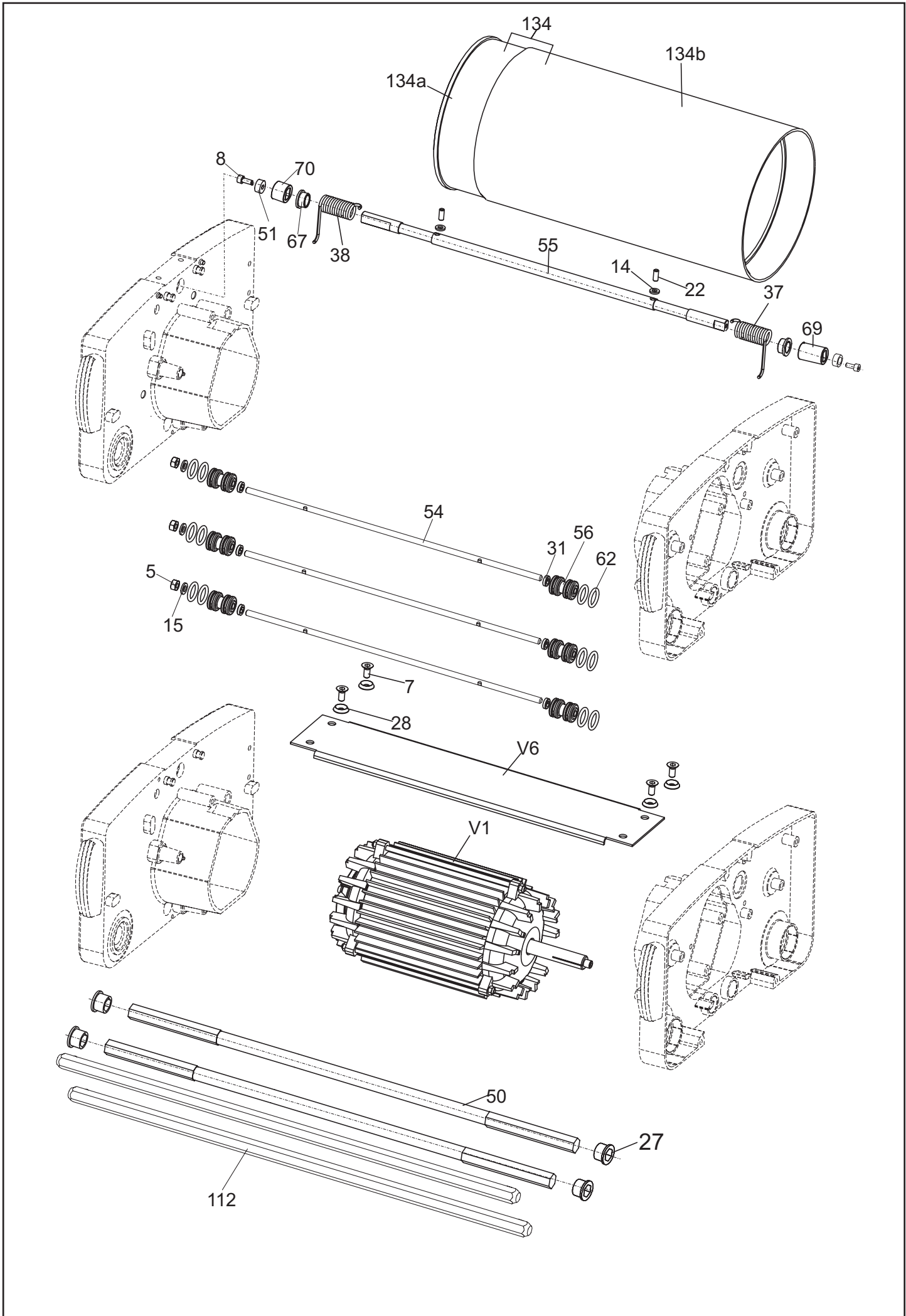
15

---

| Ref. No | Part No      | Description                | Size     | Qty |
|---------|--------------|----------------------------|----------|-----|
| 3       | 90-0002-0000 | CRPH SCREW                 | M4x8     | 1   |
| 4       | 90-0046-0000 | CRPH SCREW                 | M4x12    | 6   |
| 11      | 90-0005-0000 | ALLEN SCREW                | M6x20    | 2   |
| 12      | 90-0006-0000 | WASHER                     | 6.4x18x2 | 4   |
| 23      | 90-0010-0000 | CABLE RETAINER             |          | 1   |
| 35      | 90-0018-0000 | CLAMP                      |          | 1   |
| 44      | 90-0026-0000 | PULL HANDLE                |          | 1   |
| 48      | 90-0165-0000 | CAP                        |          | 1   |
| 52      | 90-0168-0000 | BASE-CABLE HOLDER          |          | 4   |
| 57      | 90-0032-0000 | CLAMP                      |          | 1   |
| 60      | 90-0038-0000 | NUT                        |          | 1   |
| 65      | 90-0041-0000 | SPRING                     |          | 4   |
| 66      | 90-0042-0000 | WASHER                     |          | 4   |
| 71      | 90-0044-0000 | PLUG                       |          | 2   |
| 73      | 90-0183-0000 | SELF TAPPING SCREW         |          | 10  |
| 85      | 90-0050-0000 | GUIDE                      |          | 2   |
| 117     | 90-0067-0000 | TOP HANDLE                 |          | 1   |
| 126     | 90-0296-0000 | KNOB                       |          | 2   |
| 127     | 90-0234-0000 | PULL CABLE                 |          | 1   |
| 130     | 90-0270-0000 | DUMMY                      |          | 1   |
| 135     | 90-0235-0000 | BOTTOM HANDLE              |          | 1   |
| 189     | 90-0465-0000 | SLEEVE                     |          | 1   |
| 224     | 90-0402-0000 | KNOB-CABLE HOLDER-II       |          | 2   |
| 225     | 90-0429-0000 | KNOB-CABLE HOLDER-I        |          | 2   |
| 230     | 90-0451-0000 | PIPE-LH                    |          | 1   |
| 231     | 90-0452-0000 | PIPE-RH                    |          | 1   |
| V4      |              | Variants Refer Page No. 19 |          |     |

---





---

# Motor, Drum and Bridge Assembly

17

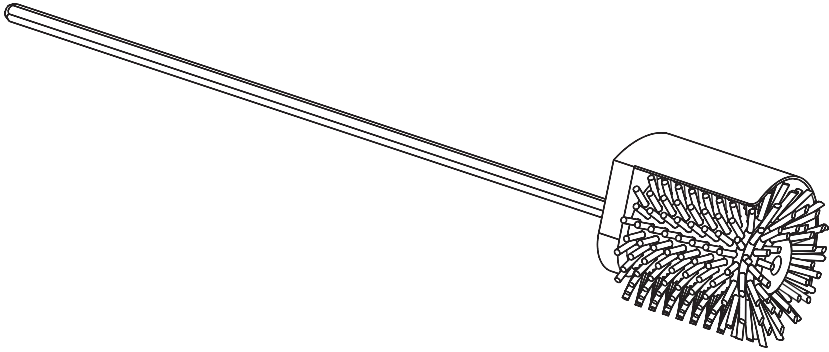
---

| Ref. No | Part No      | Description                | Size       | Qty |
|---------|--------------|----------------------------|------------|-----|
| 5       | 90-0142-0000 | HEX NUT                    | M6         | 3   |
| 7       | 90-0143-0000 | CSK SCREW                  | M6x14      | 4   |
| 8       | 90-0004-0000 | ALLEN SCREW                | M4x10      | 2   |
| 14      | 90-0146-0000 | WASHER                     | 5.2x10x1.6 | 2   |
| 15      | 90-0147-0000 | WASHER                     | 6.4x12x1.6 | 3   |
| 22      | 90-0150-0000 | GRUB SCREW                 | M5x12      | 2   |
| 27      | 90-0015-0000 | BUSH                       |            | 4   |
| 28      | 90-0152-0000 | WASHER                     |            | 4   |
| 31      | 90-0017-0000 | WASHER                     |            | 6   |
| 37      | 90-0157-0000 | SPRING                     |            | 1   |
| 38      | 90-0158-0000 | SPRING                     |            | 1   |
| 50      | 90-0167-0000 | HEX SHAFT                  |            | 2   |
| 51      | 90-0030-0000 | WASHER                     |            | 2   |
| 54      | 90-0170-0000 | TIE ROD                    |            | 3   |
| 55      | 90-0171-0000 | SHAFT                      |            | 1   |
| 56      | 90-0172-0000 | ROLLER                     |            | 6   |
| 62      | 90-0176-0000 | O' RING                    |            | 12  |
| 67      | 90-0178-0000 | BUSH                       |            | 2   |
| 69      | 90-0180-0000 | BUSH                       |            | 1   |
| 70      | 90-0181-0000 | BUSH                       |            | 1   |
| 112     | 90-0062-0000 | BRUSH SHAFT                |            | 2   |
| 134     | 90-0306-0000 | DRUM ASSY                  |            | 1   |
| 134a    | 90-0303-0000 | DRUM                       |            | 1   |
| 134b    | 90-0304-0000 | DRUM SLEEVE                |            | 1   |
| V1,V6   |              | Variants Refer Page No. 19 |            |     |

---

# Side Brush Assembly

90-0132-0000



## BRUSH

| SL.NO | PART NO      | DESCRIPTION     |
|-------|--------------|-----------------|
| 1     | 90-0130-0000 | BRUSH-STD       |
| 2     | 90-0131-0000 | BRUSH-POLISHING |
| 3     | 90-0089-0000 | BRUSH-HARD      |

## TROLLEY

|   |              |         |
|---|--------------|---------|
| 1 | 05-3395-0000 | TROLLEY |
|---|--------------|---------|

## Variants

| Ref. No | Part No      | Description            | Qty |
|---------|--------------|------------------------|-----|
| V1      | 90-0059-0000 | MOTOR (230V, 50Hz)     | 1   |
| V2      | 90-0272-0000 | CAPACITOR (13 MFD)     | 1   |
| V3      | 90-0056-0000 | CIRCUIT BREAKER (3.5A) | 1   |
| V4      | 90-0299-0000 | POWER CORD (UK)        | 1   |
| V5      | 90-0315-0000 | IDLE HOUSING           | 1   |
| V6      | 90-0198-0000 | BRIDGE                 | 1   |
| V7      | 90-0316-0000 | DRIVE HOUSING          | 1   |
| V8      | 90-0126-0000 | COVER                  | 2   |

---









SPARES & TECHNICAL SUPPORT +44 (0) 23 8070 6601  
TRUVOX CUSTOMER SERVICE HELPLINE +44 (0) 23 8070 2200

---

Truvox International Limited, Third Avenue, Millbrook, Southampton, Hampshire SO15 0LE England  
Tel: +44 (0) 23 8070 2200 Fax: +44 (0) 23 8070 5001  
e-mail: [truvox@truvox.com](mailto:truvox@truvox.com) <http://www.truvox.com>

---